

Description

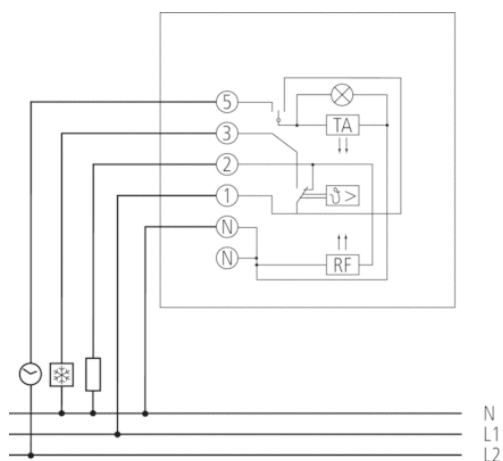


- Room temperature controller with thermal feedback
- Also suitable for air conditioning equipment
- Heating/cooling changeover contact
- 3-way selector switch for: comfort mode, reduction mode, external reduction
- Indicator lamp
- External temperature reduction (approx. 4 K) possible via control with time switch
- Suitable for all types of heating, e.g. gas, water, electric heating with central/individual room control
- Setting controller with mechanical setting limit or detection

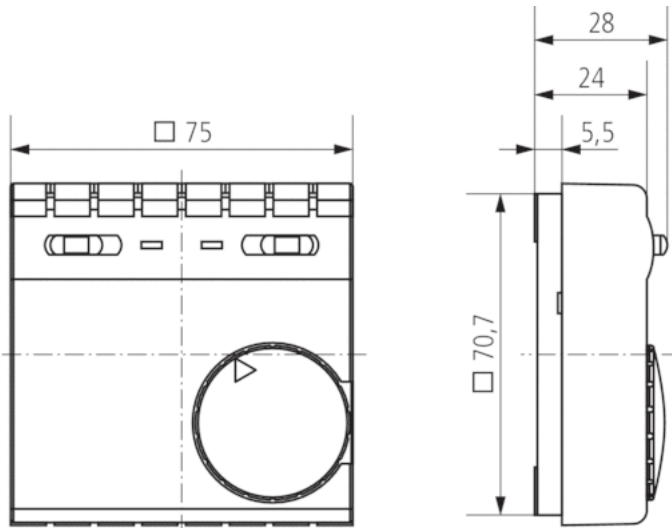
Technical data

Operating voltage	230 – 240 V AC
Frequency	50 – 60 Hz
Type of contact	Changeover contact
Switching capacity	Heating: 10 A (at 230 V AC, $\cos \varphi = 1$), 4 A (at 230 V AC, $\cos \varphi = 0.6$) Cooling: 5 A (at 230 V AC, $\cos \varphi = 1$), 2 A (at 230 V AC, $\cos \varphi = 0.6$)
Setting range temperature	+5 °C ... +30 °C
Function	Mechanical
Hysteresis	□
Control accuracy	approx. 1 K, thermal recirculation
Test approval	VDE
Colour	White
Installation type	Surface-mounted
Type of protection	IP 30
Protection class	II according to EN 60 730-1

Connection example



Scale drawings



Accessories

Actuator ALPHA 5 230 V

- Article number: 9070441
Details ▶ www.theben.de



Adapter plate RAMSES 70x

- Article number: 9070480
Details ▶ www.theben.de

