



3/2, 5/2, 5/2 bistable and 5/3 way pneumatic solenoid valve

- Single or block mounting
- Suitable for outdoor and chemical atmospheres
- Suitable for low temperatures
- Explosion-proof versions
- Threaded or NAMUR flange connections

Type 6518/6519 can be combined with...



Type 2508
Cable plug



Type 2513
Cable plug
(ATEX Cat. 3 GD)



Type 2510/11
Cable plug ASI



Type 2012
Single seat valve



Type 2030
Diaphragm valve

The Type 6518 is a servo-assisted 3/2 way valve and the Type 6519 is a 5/2 or 5/3 way valve. Together, they form a product line. The valves can be used individually or in blocks. The valves work without a continuous air consumption and are used for the pneumatic control of double or single-acting actuators. A solenoid valve Type 6014 is used as a pilot. The use of high quality materials makes it possible to use these valves in the open air and under chemical atmospheres. The product line contains units with Ex-Approvals and NAMUR flange interface.

Content 6518/6519

Page

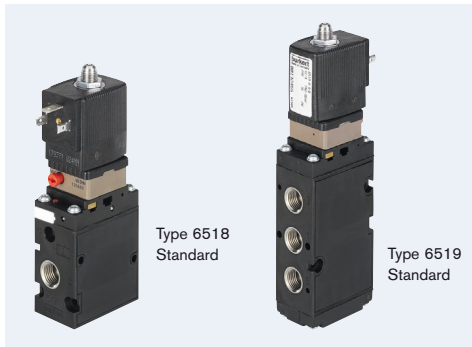
6518/6519 Standard temperature range

| | | |
|--|----------|----|
| 6518/6519 | Standard | 2 |
| | Ex m | 3 |
| | Ex i | 4 |
| 6519 NAMUR | Standard | 5 |
| | Ex m | 6 |
| | Ex i | 7 |
| Manifold assembly with MP07 pneumatic modules | | 8 |
| Accessories | | 10 |
| Dimensions | | 12 |

6519 with extended temperature range

| | | |
|--------------------|----------|----|
| 6519 | Standard | 20 |
| | Ex m | 22 |
| | Ex i | 24 |
| 6519 NAMUR | Standard | 26 |
| | Ex m | 28 |
| | Ex i | 30 |
| Accessories | | 32 |
| Dimensions | | 34 |

Type 6518/6519 Standard (with tag connector acc.to DIN EN 175301-803 Form A, without cable plug)



Type 6518 and the Type 6519 together form a product line. Both types can be mounted on a pneumatic module. The valve width of 32 mm allows high flow rates. A solenoid valve Type 6014 is used as a pilot. The valves can be used individually or in blocks.

| Technical data | | |
|---------------------------------|---|--|
| Orifice | Type 6518 Type 6519 | DN8 mm DN8 and 9 mm |
| Body material | Type 6518 Pilot and main valve Type 6519 Pilot valve Main valve | Polyamide, reinforced glass-fibre Polyamide, reinforced Polyamide (5/2 way), aluminium (5/3 way) |
| Threaded socket material | | Brass (stainless steel on request) |
| Seal material | Type 6518 Type 6519 | NBR and PUR NBR and PUR (5/2 way), NBR (5/3 way) |
| Medium | | Neutral Medium, e.g. lubricated or non-lubricated compressed air |
| Compressed air quality | | ISO 8573-1:2010, Class 7.4.4* |
| Medium temperature | | - 10 °C to + 50 °C |
| Ambient temperature | | -25 °C to + 55 °C |
| Pneumatic connection | Supply port connection 1, 3, 5 Service port 2, 4 | Thread G ¼, multi-station manifold (on request NPT ¼) Thread G ¼ (on request NPT ¼) |
| Operating voltages | | 24 V DC 24/ 110/ 230 V/ 50- 60 Hz |
| Voltage tolerance | | + 10% |
| Duty cycle | | 100% continuous operation |
| Electrical connection | | Tag connector acc. to DIN EN 175301-803 (previously DIN 43650) Form A for cable plug Type 2508 |
| Type of protection | | IP65 with cable plug |
| Installation | | As required, preferably with actuator upright |

* To prevent freezing of the expanded compressed air, the pressure dew point must be at least 10 K lower than the temperature of the medium.

| Power consumption | | |
|-------------------|------------------------|---------------|
| Inrush | Hold (hot coil) | |
| AC [VA] | AC [VA/W] | DC [W] |
| 11 | 6/2 | 2 |

| Response times ¹⁾ | |
|------------------------------|---------|
| Opening | 20 [ms] |
| Closing | 40 [ms] |

¹⁾ Measured at valve outlet at 6 bar and +20 °C acc. to ISO 12238.
Opening: Pressure rise 0 to 90%,
Closing: Pressure drop 100 to 10%

Ordering chart with manual override (without manual override on request)

| Circuit function | Orifice [mm] | Seal material and body | Threaded port connection [inch] | Q _{nv} value air ¹⁾ [l/min] | Pressure range ²⁾ [bar] | Weight [g] | Nominal power [W] | Voltage/Frequency [V/Hz] | Article no. |
|--|--------------|----------------------------|---------------------------------|---|------------------------------------|------------|-------------------|--------------------------|-------------|
| Type 6518 Standard – Brass threaded socket, also threads 1 and 3 of multi-station manifold; without cable plug | | | | | | | | | |
| C 3/2 way servo-controlled solenoid valve, normally closed, with manual override | 8.0 | NBR and PUR (Polyamide) | G ¼ | 1300 | 2-8 | 370 | 2 | 024/DC | 132457 |
| | | | | | | | | 024/50-60 | 132458 |
| | | | | | | | | 110/50-60 | 132459 |
| | | | | | | | | 230/50-60 | 132460 |
| D 3/2 way servo-controlled, solenoid valve, normally open, with manual override | 8.0 | NBR and PUR (Polyamide) | G ¼ | 1300 | 2-8 | 370 | 2 | 024/DC | 132461 |
| | | | | | | | | 024/50-60 | 132462 |
| | | | | | | | | 110/50-60 | 132463 |
| | | | | | | | | 230/50-60 | 132464 |
| Type 6519 Standard – Brass threaded socket, also threads 1, 3 and 5 of multi-station manifold; without cable plug | | | | | | | | | |
| H 5/2 way servo-controlled solenoid valve, with manual override | 8.0 | NBR and PUR (Polyamide) | G ¼ | 1300 | 2-8 | 450 | 2 | 024/DC | 132465 |
| | | | | | | | | 024/50-60 | 132466 |
| | | | | | | | | 110/50-60 | 132467 |
| | | | | | | | | 230/50-60 | 132468 |
| L 5/3 way solenoid valve, in middle position all ports locked, with manual override | 9.0 | NBR (Aluminium) | G ¼ | 1300 | 3-10 | 720 | 2 | 024/DC | 132469 |
| | | | | | | | | 024/50-60 | 132470 |
| | | | | | | | | 110/50-60 | 132471 |
| | | | | | | | | 230/50-60 | 132472 |
| N 5/3 way valve, in middle position ports 2 and 4 open, with manual override | 9.0 | NBR (Aluminium) | G ¼ | 1300 | 3-10 | 720 | 2 | 024/DC | 132473 |
| | | | | | | | | 024/50-60 | 132474 |
| | | | | | | | | 110/50-60 | 132475 |
| | | | | | | | | 230/50-60 | 132476 |

1) Flow rate: Q_{nv} value air [l/min]: Measured at +20 °C, 6 bar pressure at valve inlet and 1 bar pressure difference
2) Pressure values [bar]: Overpressure with respect to atmospheric pressure

Type 6518/6519 Ex m (with moulded cable, 3 m long, junction box on request)

The maximum fluid temperature may never exceed the permissible temperature class (T4 135 °C, T5 100 °C, T6 85 °C) minus 5K.



The approval Ex m is achieved by the mounting of an approved push-over coil. The cable connection and the cable are non-detachable and sealed together with the valve. The valves can be used individually or in blocks.

| Technical data | | |
|---------------------------------|---|--|
| Orifice | Type 6518 Type 6519 | DN8 mm DN8 and 9 mm |
| Body material | Type 6518 - Pilot & main valve Type 6519 - Pilot valve Main valve | Polyamide, reinforced glass-fibre Polyamide, reinforced glass-fibre Polyamide (5/2 way), aluminium (5/3 way) |
| Threaded socket material | | Brass (stainless steel on request) |
| Seal material | Type 6518 Type 6519 | NBR and PUR NBR and PUR (5/2 way), NBR (5/3 way) |
| Medium | | Neutral medium, e.g. lubricated or non-lubricated compressed air |
| Compressed air quality | | ISO 8573-1:2010, Class 7.4.4* |
| Medium temperature | | - 10 °C to + 50 °C |
| Ambient temperature | | - 25 °C to + 50 °C |
| Pneumatic connection | Supply port connection 1, 3, 5 Service port 2, 4 | Thread G ¼, multi-station manifold (on request NPT ¼) Thread G ¼ (on request NPT ¼) |
| Operating voltages | | 24/ 110/ 230 V/UC |
| Voltage tolerance | | + 10% |
| Duty cycle | | 100% continuous operation |
| Electrical connection | | 3 m cable, moulded junction box (without fuse) |
| Type of protection | | IP65 |
| Approvals | Coil | PTB 14 ATEX 2023 X / IECEx PTB 14.0049 X II 2G Ex mb IIC T5 Gb II 2D Ex mb IIIC T 100 °C Db |
| | Junction box | EPS16 ATEX 1046 X / IECEx EPS 16.0021 X II 2G EX eb mb IIC T5 Gb II 2D EX mb tb IIIC T100 °C Db |
| Installation | | As required, preferably with actuator upright |

| Response times ¹⁾ | |
|------------------------------|---------|
| Opening | 20 [ms] |
| Closing | 50 [ms] |

¹⁾ Measured at valve outlet at 6 bar and + 20 °C acc. to ISO 12238.
Öffnen: Pressure rise 0 to 90%
Closing: Pressure drop 100 to 10%

* To prevent freezing of the expanded compressed air, the pressure dew point must be at least 10 K lower than the temperature of the medium.

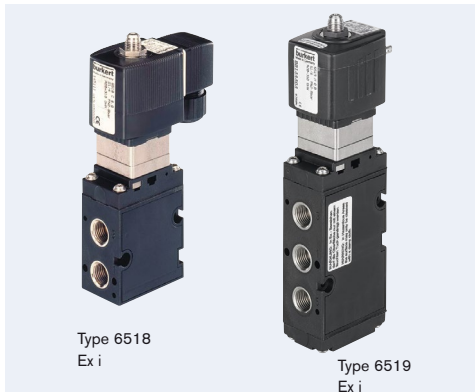
Ordering chart with manual override (without manual override on request)

| Circuit function | Orifice [mm] | Seal material and body | Threaded port connection [inch] | Q_{Nn} value Luft ¹⁾ [l/min] | Pressure range ²⁾ [bar] | Weight [g] | Nominal power [W] | Voltage/Frequency [V/Hz] | Article no. |
|---|--------------|-------------------------|---------------------------------|---|------------------------------------|------------|-------------------|--------------------------|-------------|
| Type 6518 Ex m – Brass threaded socket, also threads 1 and 3 of multi-station manifold; with moulded cable, 3 m long³⁾ | | | | | | | | | |
| C 3/2 way servo-controlled solenoid valve, normally closed, with manual override | 8.0 | NBR and PUR (Polyamide) | G ¼ | 1300 | 2-8 | 600 | 3 | 024/UC | 278195 |
| | | | | | | | | 110/UC | 278200 |
| | | | | | | | | 230/UC | 278201 |
| D 3/2 way servo-controlled, solenoid valve, normally open, with manual override | 8.0 | NBR and PUR (Polyamide) | G ¼ | 1300 | 2-8 | 600 | 3 | 024/UC | 278205 |
| | | | | | | | | 110/UC | x |
| | | | | | | | | 230/UC | x |
| Type 6519 Ex m – Brass threaded socket, also threads 1, 3 and 5 of multi-station manifold; with moulded cable, 3 m long⁴⁾ | | | | | | | | | |
| H 5/2 way servo-controlled solenoid valve, with manual override | 8.0 | NBR and PUR (Polyamide) | G ¼ | 1300 | 2-8 | 700 | 3 | 024/UC | 278209 |
| | | | | | | | | 110/UC | 278212 |
| | | | | | | | | 230/UC | 278213 |
| L 5/3 way solenoid valve, in middle position all ports locked, with manual override | 9.0 | NBR (Aluminium) | G ¼ | 1300 | 3-10 | 1.100 | 3 | 024/UC | 278221 |
| | | | | | | | | 110/UC | x |
| | | | | | | | | 230/UC | x |
| N 5/3 way valve, in middle position ports 2 and 4 open, with manual override | 9.0 | NBR (Aluminium) | G ¼ | 1300 | 3-10 | 1.100 | 3 | 024/UC | 278222 |
| | | | | | | | | 110/UC | x |
| | | | | | | | | 230/UC | x |

¹⁾ Flow rate: Q_{Nn} value air [l/min]: Measured at + 20 °C, 6 bar pressure at valve inlet and 1 bar pressure difference
²⁾ Pressure values [bar]: Overpressure with respect to atmospheric pressure
³⁾ Versions with junction box on request
⁴⁾ Circuit function H (5/2 way) as impulse version on request
 x = on request

Type 6518/6519 Ex i (with Tag connector acc. to DIN EN 175301-803 Form A, without cable plug)

The maximum fluid temperature may never exceed the permissible temperature class (T4 135 °C, T5 100 °C, T6 85 °C) minus 5K.



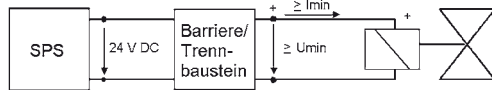
The intrinsically-safe Type 6518 Ex i and 6519 Ex i valves consist of an intrinsically-safe pilot control and a pneumatic amplifier. The diaphragm-controlled valve seats work with very low friction, ensuring reliable switching of the valve, even after long shutdown periods.

| Response times ¹⁾ | |
|------------------------------|----------|
| Opening | 75 [ms] |
| Closing | 115 [ms] |

¹⁾ Measured at valve outlet at 6 bar and +20 °C acc. to ISO 12238.
 Opening: Pressure rise 0 to 90%
 Closing: Pressure drop 100 to 10%

Note

These units may only be used in explosive atmospheres in the manner approved by the Federal Institute of Physics and Technology (PTB), i.e., the permissible maximum electrical values must be complied with. Suitable barriers and isolating modules are available for this.



The valve is intended for operation on 24 V DC outputs via the intermediate switching of a corresponding intrinsically-safe operating resource (isolating module or barrier).
 If required, request the "Recommended Barrier and Isolating Module" data sheet.

| Technical data | | |
|---------------------------------|---|---|
| Orifice | Type 6518 | DN8 mm |
| | Type 6519 | DN8 and 9 mm |
| Body material | Pilot valve | Stainless steel 1.4305 or brass |
| | Main valve | Polyamide, reinforced glass-fibre |
| Threaded socket material | Brass (stainless steel on request) | |
| Seal material | FPM, NBR and PUR | |
| Medium | Neutral medium, e.g. lubricated or non-lubricated compressed air | |
| Compressed air quality | ISO 8573-1:2010, Class 7.4.4* | |
| Medium temperature | -10 °C to +50 °C | |
| Ambient temperature | -25 °C to +55 °C | |
| Pneumatic connection | Supply port connection 1, 3, 5 | Thread G ¼, multi-station manifold (on request PT1/4) |
| | Service port 2, 4 | Thread G ¼ (on request NPT ¼) |
| Duty cycle | 100% continuous operation | |
| Electrical connection | Tag connector acc. to DIN EN 175301-803 (previously DIN 43650) Form A for cable plug Type 2508 (not in delivery, see accessories), check for correct polarity | |
| Type of protection | IP65 with cable plug | |
| Installation | As required, preferably with actuator upright | |

* To prevent freezing of the expanded compressed air, the pressure dew point must be at least 10 K lower than the temperature of the medium.

Electrical data - Coil AC10 Ex i

| | | | |
|--|-------------------------------------|------------------|--------|
| Approvals | PTB 01 ATEX 2101 / PTB IECEx10.0019 | | |
| | II 2G Ex ia IIC T6 Gb | | |
| | II 2G Ex ia IIC T80 °C Db | | |
| Function values for Switching function valve¹⁾ | at +20 °C | at +55 °C | |
| | Minimum switching current | 29 mA | 29 mA |
| | Nominal resistance coil | 310 Ω | 360 Ω |
| | Minimum terminal voltage | 9.0 V | 10.4 V |
| Conformity specifications | U _i | 35 V | |
| | I _i | 0.9 A | |
| | P _i | 1.1 W | |
| | | | |

¹⁾ With high resistance coil on request

Ordering chart for valves without manual override (with manual override and high resistance coil on request)

| Circuit function | Orifice [mm] | Seal material and body | Threaded port connection [inch] | Q _{nn} value Luft ¹⁾ [l/min] | Pressure range ²⁾ [bar] | Weight [g] | Body material pilot valve | Material air control connector | Article no. |
|---|--------------|-------------------------|---------------------------------|--|------------------------------------|------------|---------------------------|--------------------------------|-------------|
| Type 6518 Ex i without cable plug | | | | | | | | | |
| <p>3/2 way servo-controlled solenoid valve, normally closed</p> | 8.0 | NBR and PUR (Polyamide) | G ¼ | 1300 | 2-8 | 580 | St. St. 1.4305 | St. St. | 145111 |
| | | | | | | | Brass, nickel plated | Brass, nickel plated | 144486 |
| | | | | | | | Brass | Brass, nickel plated | 147253 |
| Type 6519 Ex i without cable plug | | | | | | | | | |
| <p>5/2 way servo-controlled solenoid valve</p> | 8.0 | NBR and PUR (Polyamide) | G ¼ | 1300 | 2-8 | 670 | St. St. 1.4305 | St. St. | 144484 |
| | | | | | | | Brass, nickel plated | Brass, nickel plated | 144485 |
| | | | | | | | Brass | Brass, nickel plated | 147252 |

¹⁾ Flow rate: Q_{nn} value air [l/min]: Measured at +20 °C, 6 bar pressure at valve inlet and 1 bar pressure difference

²⁾ Pressure values [bar]: Overpressure with respect to atmospheric pressure

Type 6519 NAMUR Standard (with Tag connector acc. to DIN EN 175301-803 Form A, without cable plug)



Type 6519 NAMUR Standard

The valve bodies of Type 6519 NAMUR are identical with the Ex m variants. The difference is in the coils, which are laid out and approved in different ways. By changing the coil on the valve body, it is possible to easily convert from Non-Ex operation to Ex operation (or vice versa). The coils are designed to be push-over and can be locked in $4 \times 90^\circ$ displaced positions and be positioned anywhere in-between.

| Technical data | |
|---------------------------------|---|
| Orifice | Type 6519 DN6 mm |
| Body material | Type 6519 Pilot and main valve Polyamide, reinforced glass-fibre |
| Threaded socket material | Brass (stainless steel on request) |
| Seal material | Type 6519 NBR and PUR |
| Medium | Neutral medium, e.g. lubricated or non-lubricated compressed air |
| Compressed air quality | ISO 8573-1:2010, Class 7.4.4* |
| Medium temperature | -10 °C to +50 °C |
| Ambient temperature | -25 °C to +55 °C |
| Pneumatic connection | Supply port connection 1, 3, 5 Thread G 1/4, (on request NPT 1/4) Service port 2, 4 NAMUR Flange |
| Operating voltages | 24 V DC 24/ 110/ 230 V/ 50-60 Hz |
| Voltage tolerance | +10% |
| Duty cycle | 100% continuous operation |
| Electrical connection | Tag connector acc. to DIN EN 175301-803 (previously DIN 43650) Form A for cable plug Type 2508 |
| Type of protection | IP65 with cable plug |
| Installation | As required, preferably with actuator upright |

* To prevent freezing of the expanded compressed air, the pressure dew point must be at least 10 K lower than the temperature of the medium.

| Power consumption | | | Response times ¹⁾ | |
|-------------------|---------------------------|--------|------------------------------|---------|
| Inrush AC [VA] | Hold (hot coil) AC [VA/W] | DC [W] | Opening | Closing |
| 11 | 6/2 | 2 | 20 [ms] | 40 [ms] |

¹⁾ Measured at valve outlet at 6 bar and +20 °C acc. to ISO 12238.
Opening: Pressure rise 0 to 90%,
Closing: Pressure drop 100 to 10%

Ordering chart with manual override (without manual override on request)

| Circuit function | Orifice [mm] | Seal material and body | Material sockets ¹⁾ | Threaded port connection [inch] | Q _{vo} value Luft ²⁾ [l/min] | Pressure range ³⁾ [bar] | Weight [g] | Electrical nominal power [W] | Voltage/Frequency [V/Hz] | Article no. |
|------------------|--------------|------------------------|--------------------------------|---------------------------------|--|------------------------------------|------------|------------------------------|--------------------------|-------------|
| W | 6.0 | NBR and PUR | Stainless steel | G 1/4 | 900 | 2-8 | 460 | 2 | 024/DC | 131425 |
| | | | | | | | | | 024/50-60 | 131426 |
| | | | | | | | | | 110/50-60 | 131427 |
| | | | | | | | | | 230/50-60 | 131428 |
| W | 6.0 | NBR and PUR | Brass, nickel plated | G 1/4 | 900 | 2-8 | 460 | 2 | 024/DC | 131421 |
| | | | | | | | | | 024/50-60 | 131422 |
| | | | | | | | | | 110/50-60 | 131423 |
| | | | | | | | | | 230/50-60 | 131424 |

¹⁾ When the connecting sockets are made of stainless steel, then the mounting screws are also made of stainless steel

²⁾ Flow rate: Q_{vo} value air [l/min]: Measured at +20 °C, 6 bar pressure at valve inlet and 1 bar pressure difference

³⁾ Pressure values [bar]: Overpressure with respect to atmospheric pressure

All valves can be operated in circuit function C as well as in circuit function H. By replacing the adapter plate that comes with the valves, the change between the two circuit functions can be set up.

Type 6519 NAMUR Ex m (with moulded cable) or Ex me (with junction box)

The maximum fluid temperature may never exceed the permissible temperature class (T4 135 °C, T5 100 °C, T6 85 °C) minus 5K.



Type 6519 NAMUR Ex m

Type 6519 NAMUR Ex m NAMUR valve for process plants switches reliably, even when fully restricted. The valve made out of premium polyamide can be operated either as a 5/2 or a 3/2 way version through different mounting plates. The solenoid valve Type 6014 with a coil approved for use in hazardous areas is connected as a pilot. The NAMUR flange interface allows easy assembly on different pneumatic actuators on the spot.

The valve bodies are identical with the Type 6519 NAMUR standard version. The difference between the valves is in the coils, which are laid out and approved in different ways. By changing the coil on the valve body, it is possible to easily convert from Non-Ex operation to Ex operation (or vice versa). Coil versions with moulded cable are designed to be push-over and can be locked in 4 × 90° displaced positions and be positioned any where in-between.

| Technical data | |
|---------------------------------|--|
| Orifice | DN6 mm |
| Body material | Pilot and main valve Polyamide, reinforced glass-fibre |
| Threaded socket material | Brass (stainless steel on request) |
| Seal material | NBR and PUR |
| Medium | Neutral medium, e.g. lubricated or non-lubricated compressed air |
| Compressed air quality | ISO 8573-1:2010, Class 7.4.4* |
| Medium temperature | -10 °C to +50 °C |
| Ambient temperature | -25 °C to +50 °C |
| Pneumatic connection | Supply port connection 1, 3, 5 Service port 2, 4 Thread G ¼, (on request NPT ¼) NAMUR Flange |
| Operating voltages | 24/ 110/ 230 V/UC |
| Voltage tolerance | + 10 % |
| Duty cycle | 100% continuous operation |
| Electrical connection | 3 m cable, moulded junction box (without fuse) |
| Type of protection | IP65 |
| Approvals | Coil PTB 14 ATEX 2023 X / IECEx PTB 14.0049 X II 2G Ex mb IIC T5 Gb II 2D Ex mb IIIC T 100 °C Db EPS16 ATEX 1046 X / IECEx EPS 16.0021 X II 2G EX eb mb IIC T5 Gb II 2D EX mb tb IIIC T100 °C Db |
| Junction box | |
| Installation | As required, preferably with actuator upright |

* To prevent freezing of the expanded compressed air, the pressure dew point must be at least 10 K lower than the temperature of the medium.

| Response times ¹⁾ | |
|------------------------------|---------|
| Opening | 20 [ms] |
| Closing | 40 [ms] |

¹⁾ Measured at valve outlet at 6 bar and +20 °C acc. to ISO 12238.

Opening: Pressure rise 0 to 90%,

Closing: Pressure drop 100 to 10%

Ordering chart with manual override (without manual override on request)

| Circuit function | Orifice [mm] | Seal material and body | Material sockets ¹⁾ | Threaded port connection [inch] | Q ₉₀ value Luft ²⁾ [l/min] | Pressure range ³⁾ [bar] | Weight [g] | Electrical Nominal power [W] | Voltage/Frequency [V/Hz] | Article no. | |
|--|---|------------------------|--------------------------------|---------------------------------|--|------------------------------------|------------|------------------------------|--------------------------|-------------|--|
| W or W 5/2 or 3/2 way solenoid valve, with removable disk and manual override | Version acc. to Ex m, with moulded 3 m-cable | | | | | | | | | | |
| | 6.0 | NBR and PUR | Stainless steel | G ¼ | 900 | 2-8 | 650 | 3 | 024/UC | 278231 | |
| | | | | | | | | | 110/UC | 278234 | |
| | | | | | | | | | 230/UC | 278237 | |
| | 6.0 | NBR and PUR | Brass, nickel plated | G ¼ | 900 | 2-8 | 650 | 3 | 024/UC | 278228 | |
| | | | | | | | | | 110/UC | 278235 | |
| 230/UC | | | | | | | | | 278239 | | |
| Version acc. to Ex me, with junction box without fuse | | | | | | | | | | | |
| 6.0 | NBR and PUR | Stainless steel | G ¼ | 900 | 2-8 | 690 | 3 | 024/UC | 289407 | | |
| | | | | | | | | 230/UC | 289415 | | |
| | | Brass, nickel plated | G ¼ | 900 | 2-8 | 690 | 3 | 024/UC | 289406 | | |
| | | | | | | | | 110/UC | 289412 | | |
| 230/UC | 289414 | | | | | | | | | | |

¹⁾ When the connecting sockets are made of stainless steel, then the mounting screws are also made of stainless steel

x on request

²⁾ Flow rate: Q₉₀ value air [l/min]: Measured at +20 °C, 6 bar pressure at valve inlet and 1 bar pressure difference

³⁾ Pressure values [bar]: Overpressure with respect to atmospheric pressure

All valves can be operated in circuit function C as well as in circuit function H. By replacing the adapter plate that comes with the valves, the change between the two circuit functions can be set up.

Type 6519 NAMUR Ex i (with Tag connector acc. to DIN EN 175301-803 Form A, without cable plug)

The maximum fluid temperature may never exceed the permissible temperature class (T4 135 °C, T5 100 °C, T6 85 °C) minus 5K.

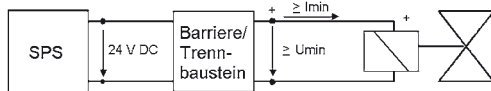


Type 6519 NAMUR Ex i

The Type 6519 NAMUR Ex i valve is used for the pneumatic control of double or single-acting actuators with a NAMUR adapter plate flange. The circuit function can easily be changed using an adapter plate. In the 3/2 way function, feedback of the exhaust air takes place in the spring area of the armature drive. The diaphragm-controlled valve seats work with very low friction, ensuring reliable switching of the valve even after long shutdown periods and at ambient temperatures below 0 °C. The valves work without a continuous air consumption.

Note

The units may only be used in explosive atmospheres in the manner approved by the Federal Institute of Physics and Technology (PTB), i.e., the permissible maximum electrical values must be complied with. Suitable barriers and isolating modules are available for this.



The valve is intended for operation on 24 V DC outputs via the intermediate switching of a corresponding intrinsically-safe operating resource (isolating module or barrier). If required, request the "Recommended Barrier and Isolating Module" data sheet.

| Technical data | |
|---------------------------------|---|
| Orifice | DN6 mm |
| Body material | Pilot valve: Stainless steel 1.4305 or brass Main valve: Polyamide, reinforced glass-fibre |
| Threaded socket material | Brass (stainless steel on request) |
| Seal material | FPM, NBR and PUR |
| Medium | Neutral medium, e.g. lubricated or non-lubricated compressed air |
| Compressed air quality | ISO 8573-1:2010, Class 7.4.4* |
| Medium temperature | -10 °C to +50 °C |
| Ambient temperature | -25 °C to +55 °C |
| Pneumatic connection | Supply port connection 1, 3, 5: Thread G 1/4, (on request NPT 1/4) Service port 2, 4: NAMUR Flange |
| Duty cycle | 100% continuous operation |
| Electrical connection | Tag connector acc. to DIN EN 175301-803 (previously DIN 43650) Form A for cable plug Type 2508 (not in delivery, see accessories), check for correct polarity |
| Type of protection | IP65 with cable plug |
| Installation | As required, preferably with actuator upright |

* To prevent freezing of the expanded compressed air, the pressure dew point must be at least 10 K lower than the temperature of the medium.

| Response times ¹⁾ | [ms] | ¹⁾ Measured at valve outlet at 6 bar and +20 °C acc. to ISO 12238. |
|------------------------------|------|---|
| Opening | 75 | Opening: Pressure rise 0 to 90% |
| Closing | 115 | Closing: Pressure drop 100 to 10% |

| Electrical data | | |
|--|---|------------------|
| Approvals | PTB 01 ATEX 2101 / PTB IECEx 10.0019 II 2G Ex ia IIC T6 Gb II 2G Ex ia IIIC T80 °C Db | |
| Function values for Switching function valve¹⁾ | at +20 °C | at +55 °C |
| Minimum switching current | 29 mA | 29 mA |
| Nominal resistance coil | 310 Ω | 360 Ω |
| Minimum terminal voltage | 9.0 V | 10.4 V |
| Conformity specifications | Ui: 35 V Ii: 0.9 A Pi: 1.1 W | |

¹⁾ With high resistance coil on request

Ordering chart for valves without manual override (with manual override and high resistance coil on request)

without cable plug

| Circuit function | Orifice [mm] | Seal material and body | Threaded port connection [inch] | Q _{in} value Luft ¹⁾ [l/min] | Pressure range ²⁾ [bar] | Weight [g] | Body material pilot valve | Material air control connector | Article no. |
|---|--------------|-------------------------|---------------------------------|--|------------------------------------|------------|---------------------------|--------------------------------|-------------|
| W | 6.0 | NBR and PUR (Polyamide) | G 1/4 | 900 | 2-8 | 670 | St. St. 1.4305 | St. St. | 144482 ☒ |
| or | | | | | | | Brass, nickel plated | 144483 ☒ | |
| W 5/2 or 3/2 way solenoid valve, with removable disk | | | | | | | Brass | Brass, nickel plated | 147244 ☒ |

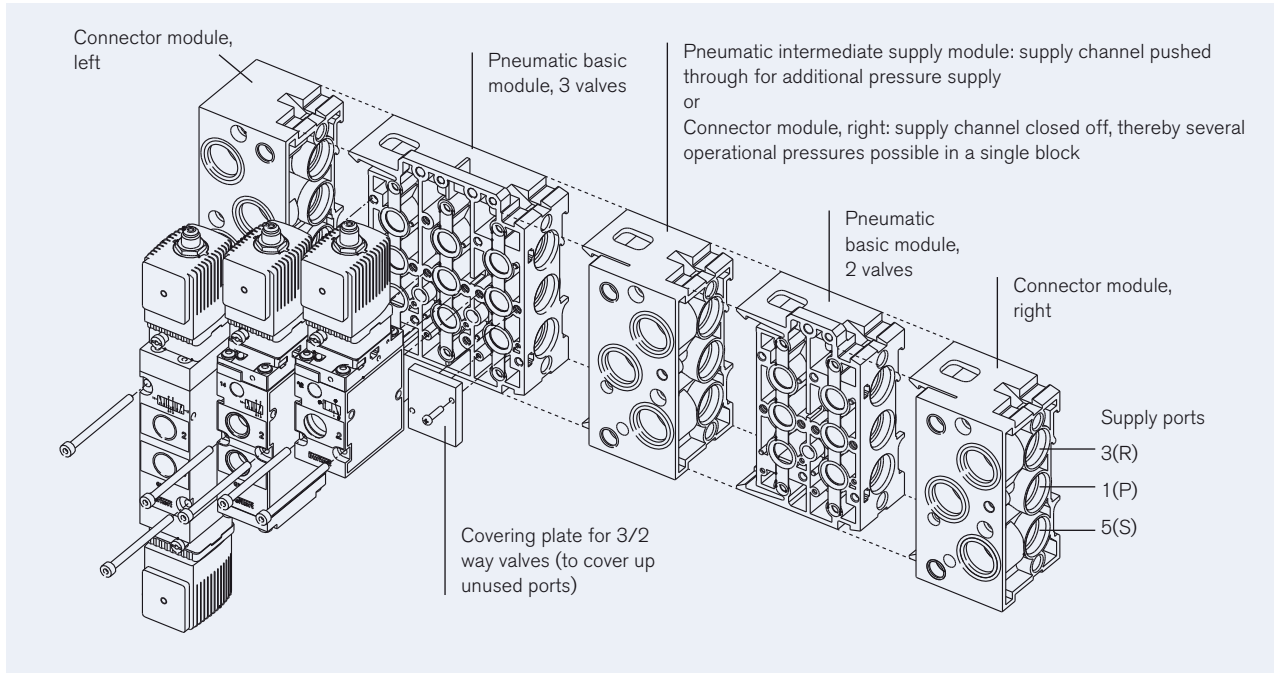
1) Flow rate: Q_{in} value air [l/min]: Measured at +20 °C, 6 bar pressure at valve inlet and 1 bar pressure difference
2) Pressure values [bar]: Overpressure with respect to atmospheric pressure

All valves can be operated in circuit function C as well as in circuit function H. By replacing the adapter plate that comes with the valves, the change between the two circuit functions can be set up. All valves have mounting plates and tag connectors acc. to DIN EN 175301-803 Form A (previously DIN 43650) and are supplied without cable plug

Pneumatic modules Type MP07

Single modules or pre-mounted blocks are available.

Example of a complete valve block



Note when ordering complete valve blocks:

Please list the modules in the block assembly from right to left, as shown in the ordering example. Valves with NAMUR Flange, Ex i coil or Ex versions with junction boxes are not suitable for block mounting.

Ordering example for Type 6518 with Type MP07

| No. | Unit | Article no. |
|-----|----------------------------------|-------------|
| 1 | Connector module right, G ½ | 635331 |
| 1 | Pneumatic basic module, 2 valves | 635319 |
| 1 | Pneumatic basic module, 3 valves | 635343 |
| 1 | Connector module left, G ½ | 635324 |
| 5 | Valves | 132457 |

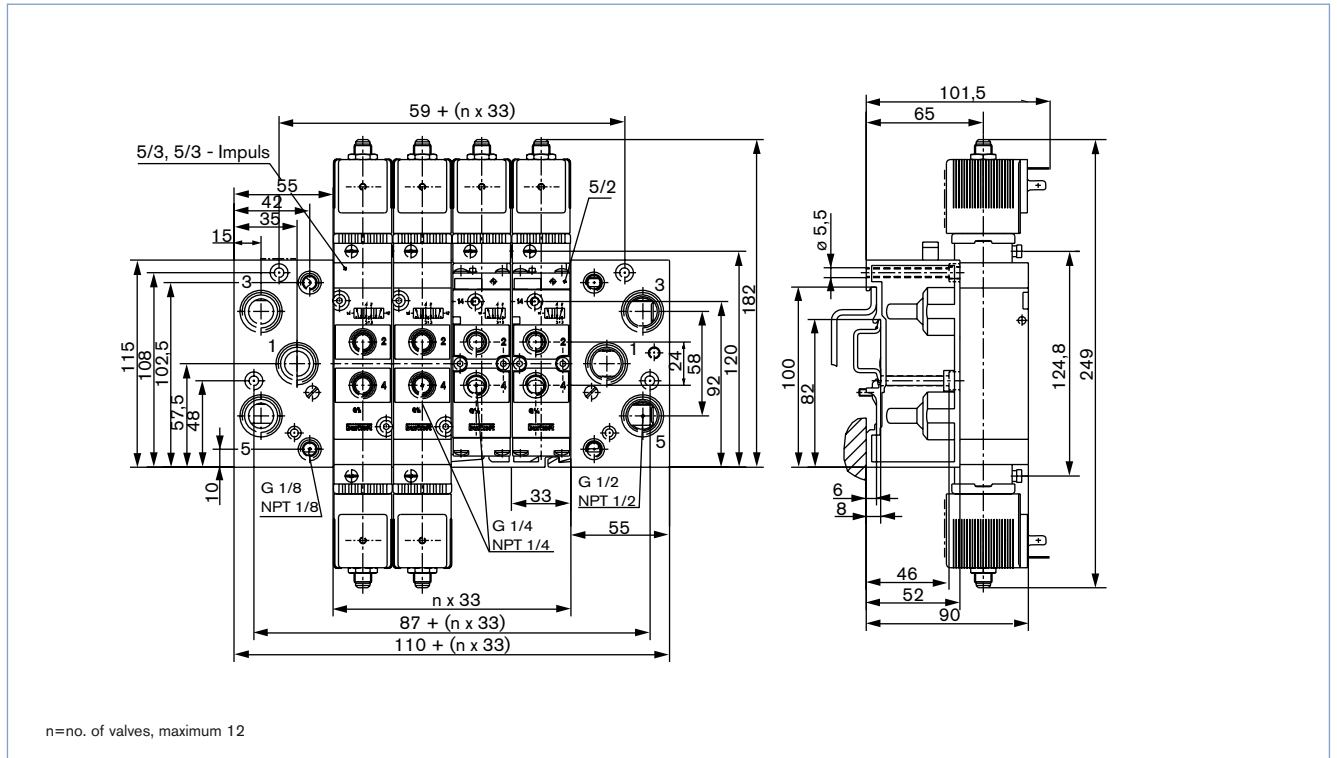
Ordering chart for Type MP07 pneumatic modules

| Version | Article no. |
|---|-------------|
| Connector module right G ½ | 635331 |
| Intermediate supply module | 637505 |
| Pneumatic basic module, 2 valves universal (for 3/2-, 5/2- and 5/3 way) | 635319 |
| Pneumatic basic module, 3 valves universal (for 3/2-, 5/2- and 5/3 way) | 635343 |
| Connector module left G ½ | 635324 |
| Covering plate for 5/2- and 5/3 way (to cover unused valve positions) | 635335 |
| Covering plate for 3/2 way (to cover unused connections) | 635337 |

Type MP07 pneumatic modules, *continued*

Dimensions for Type MP07 pneumatic modules [mm]

Manifold assembly either wall-mounted or standard mounting DIN rail 50022 or 50023

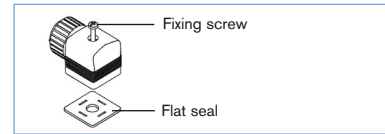


Valve assembly on pneumatic modules Type MP07 using the supplied M4 screws

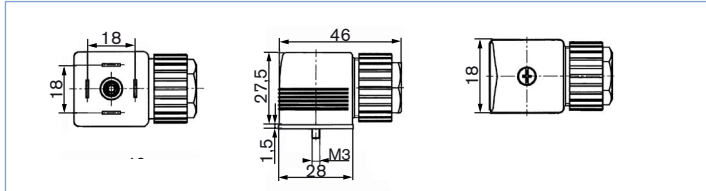
Accessories

Cable plug 2508 acc. to DIN EN 175301-803 Form A

The delivery of a cable plug includes the flat seal and the fixing screw. For other cable plug versions acc. to DIN EN 175301-803 Form A (previously DIN 43650) with integrated circuitry, see datasheet Type 2508.



Dimensions Type 2508 [mm]



Ordering chart

Cable plug 2508

| Beschaltung | Voltage | Article no. |
|---|-------------|-------------|
| For standard version 6518/19 | | |
| Fixing screw in steel (galvanised and chrome-plated) | | |
| without circuitry | 0 - 250 V | 008376 |
| with LED | 12 - 24 V | 008360 |
| with LED and varistor | 12 - 24 V | 008367 |
| with LED and varistor | 200 - 240 V | 008369 |
| For Ex i version 6519 | | |
| Fixing screw in stainless steel 1.4404 and blue compression gland nut | | |
| without circuitry | 0 - 250 V | 438574 |
| for further versions see datasheet 2508 | | |

Cable plug Type 2513 acc. to DIN EN 175301-803, Form A

Meets the requirements of ATEX category 3 GD

| | | | | |
|--|--|--|-------------------|---------------------|
| | | | Cable length [mm] | Article no. [in mm] |
| | | | 12000 | 260893 |
| | | | 5000 | 260892 |
| | | | 3000 | 260891 |
| | | | 300 | 260890 |

Ordering chart for further accessories

| Accessories | Features | Article no. |
|-----------------|--|-------------|
| Cap nut | Cap nut in stainless steel for additional protection of the exhaust air channel from the penetration of damp | 649554 |
| Blanking plug | G 1/8" | 780141 |
| | G 1/4" | 780142 |
| | G 1/2" | 780144 |
| Silencer | G 1/8" | 005305 |
| | G 1/4" | 005064 |
| | G 1/2" | 005062 |
| Labelling plate | 64 pieces | 635416 |



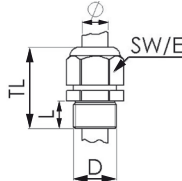


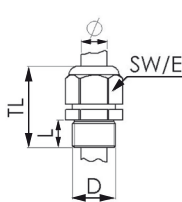
Semi-delay fuse for 6519 NAMUR Ex m

| Voltage [V] | Max. current [mA] | Article no. |
|-------------|-------------------|-------------|
| 24 V | 315 mA | 153733 |
| 110 V | 50 mA | 153716 |
| 230 V | 32 mA | 153715 |


Accessories (continued)

Ex-Cable glands

(polyamide version included in delivery / surcharge applied for brass nickel plated version)

| Photo | Description | Ex Approvals | | Article no | Drawing | | | | | | | | | | |
|---|-------------------------------|--|--|---|---|----|----------|---|-------|---|----|----|-------|---|-------|
| | | Certification | Identifica-tion | | | | | | | | | | | | |
|  | Brass, nickel-plated, 6-13 mm | PTB 04 ATEX 1112 X, IECEx PTB 13.0027X | II 2 G Ex e IIC Gb, II 2 D Ex tb IIIC Db IP68, | 773278  |  <table border="1"> <tr><td>TL</td><td>29-37 mm</td></tr> <tr><td>L</td><td>6 mm</td></tr> <tr><td>D</td><td>20</td></tr> <tr><td>SW</td><td>24 mm</td></tr> <tr><td>E</td><td>27 mm</td></tr> </table> | TL | 29-37 mm | L | 6 mm | D | 20 | SW | 24 mm | E | 27 mm |
| TL | 29-37 mm | | | | | | | | | | | | | | |
| L | 6 mm | | | | | | | | | | | | | | |
| D | 20 | | | | | | | | | | | | | | |
| SW | 24 mm | | | | | | | | | | | | | | |
| E | 27 mm | | | | | | | | | | | | | | |
|  | Polyamide, 7-13 mm | PTB 13 ATEX 1015 X, IECEx PTB 13.0034X | II 2 G Ex e IIC Gb, II 2 D Ex tb IIIC Db IP68 | 773277  |  <table border="1"> <tr><td>TL</td><td>36-45 mm</td></tr> <tr><td>L</td><td>10 mm</td></tr> <tr><td>D</td><td>20</td></tr> <tr><td>SW</td><td>24 mm</td></tr> <tr><td>E</td><td>28 mm</td></tr> </table> | TL | 36-45 mm | L | 10 mm | D | 20 | SW | 24 mm | E | 28 mm |
| TL | 36-45 mm | | | | | | | | | | | | | | |
| L | 10 mm | | | | | | | | | | | | | | |
| D | 20 | | | | | | | | | | | | | | |
| SW | 24 mm | | | | | | | | | | | | | | |
| E | 28 mm | | | | | | | | | | | | | | |

Special tool to turn the junction box (not included in delivery)

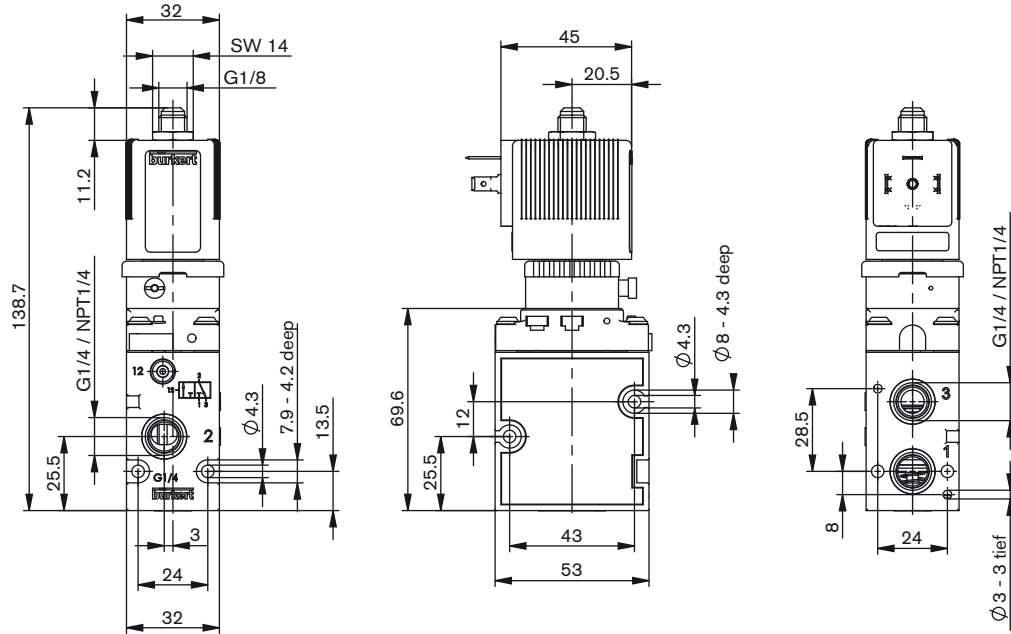
| Photo | Description | Article no. |
|---|---|--|
|  | Set SC02-AC10 Special wrench Service Manual | 293488  |

DTS 1000011067 EN Version: P Status: RL (released | freigegeben | valide) printed: 24.01.2018

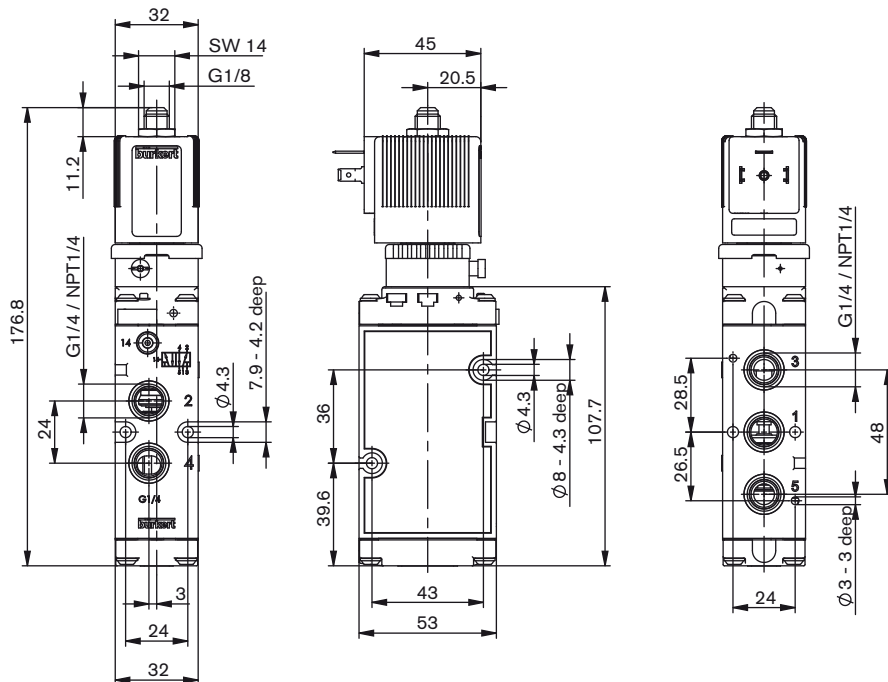
Dimensions [mm]

Standard versions

Type 6518
3/2 way valve, circuit function C and D



Type 6519
5/2 way valve, circuit function H

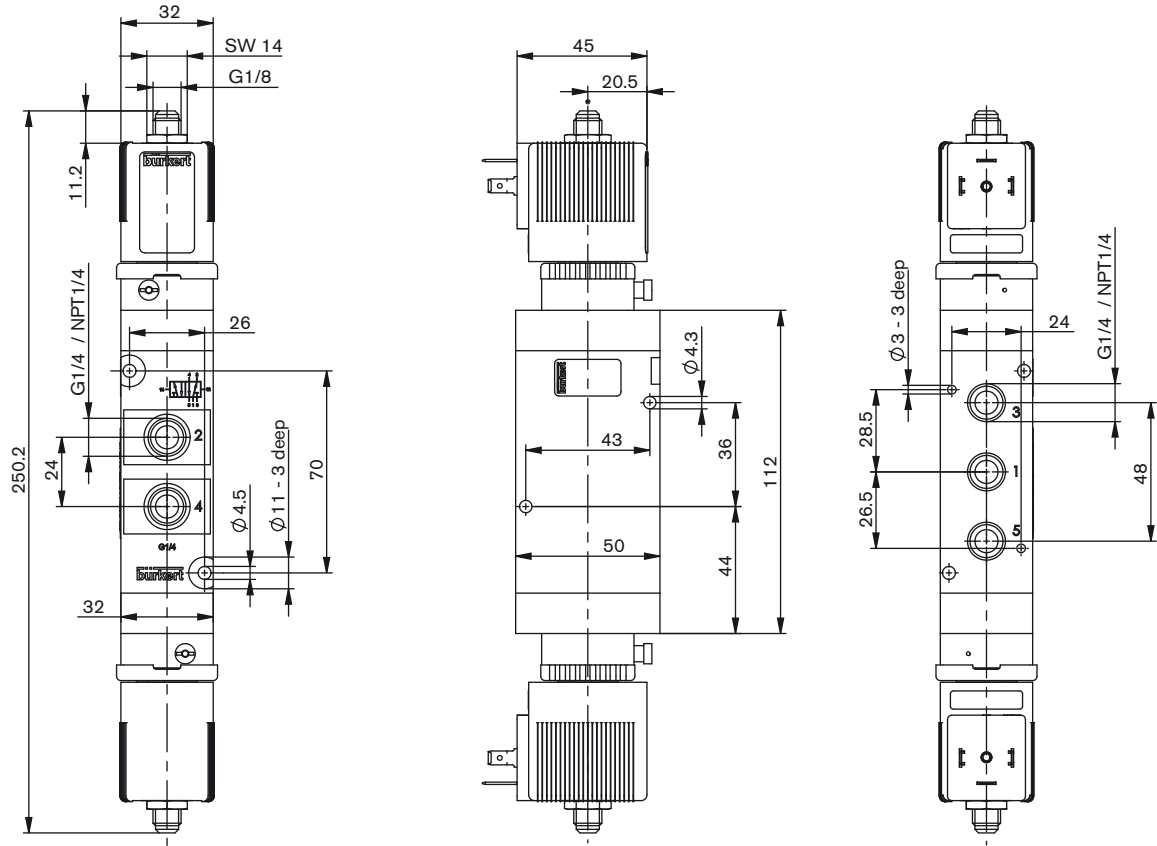


* Mounting length with 2 magnetic coils 249 mm

Dimensions [mm]

Standard versions

Type 6519
5/3 way valve, circuit function L and N

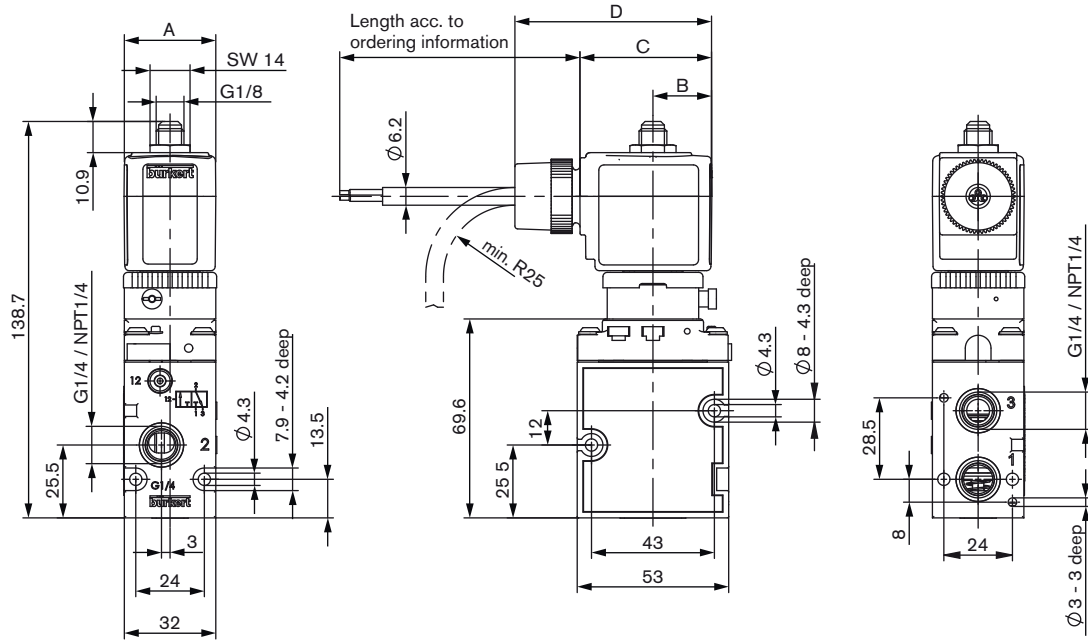


Dimensions [mm]

Ex m/me versions

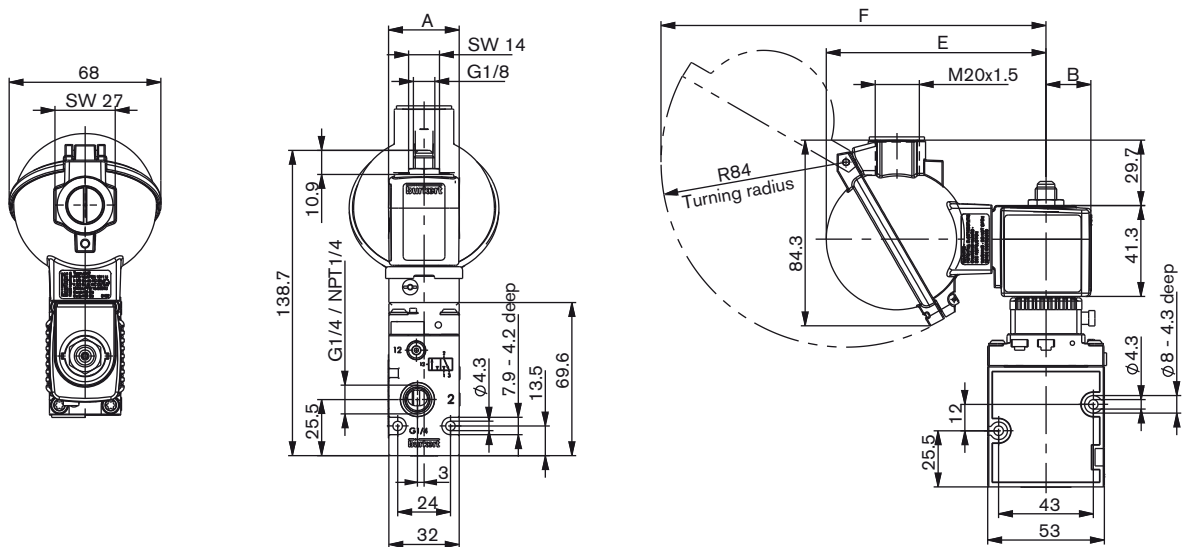
Type 6518
3/2 way valve, circuit function C and D

with moulded cable (3 m long) (Ex m)



| Coil size | A | B | C | D | E | F |
|-----------|----|------|----|------|-------|-------|
| 5 | 32 | 20.5 | 46 | 68.8 | 99.8 | 174.7 |
| 6 | 40 | 23.5 | 52 | 74.8 | 102.8 | 177.7 |

with junction box (Ex me)

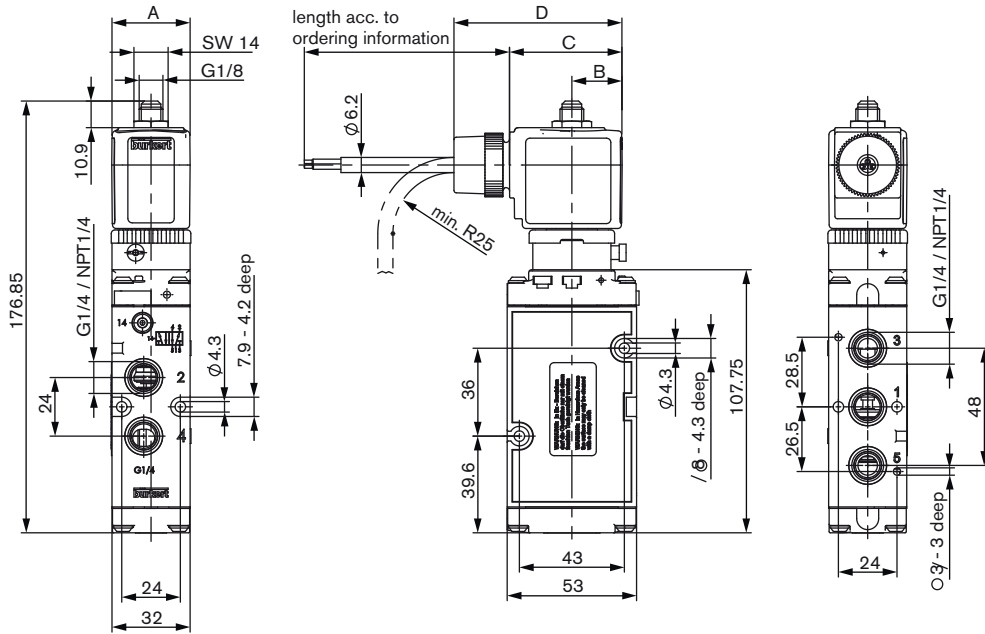


Dimensions [mm]

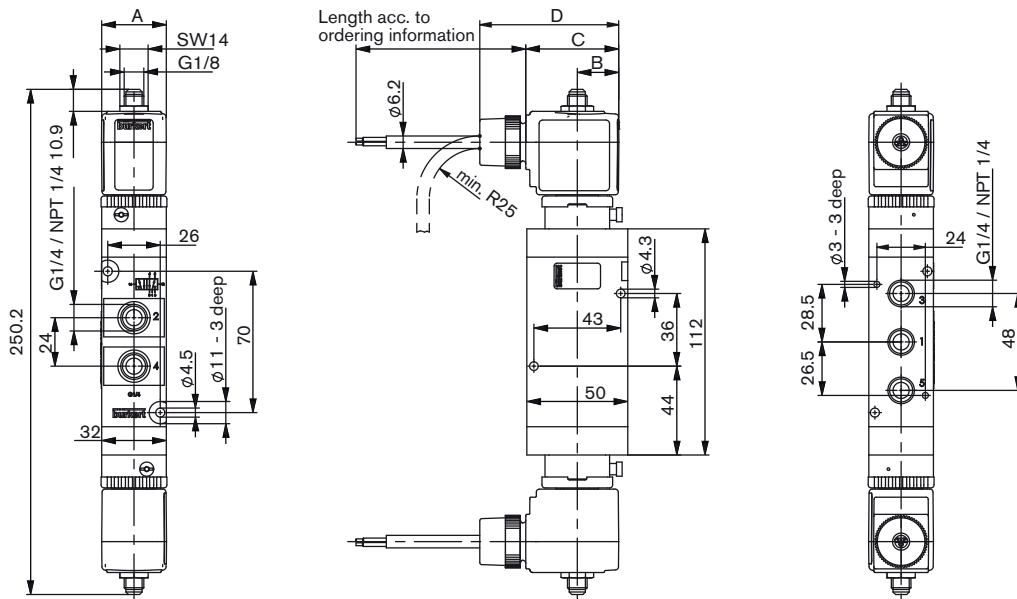
Ex m/me versions

Type 6519
5/2 way valve, circuit function H

with moulded cable (3 m long) (Ex m)



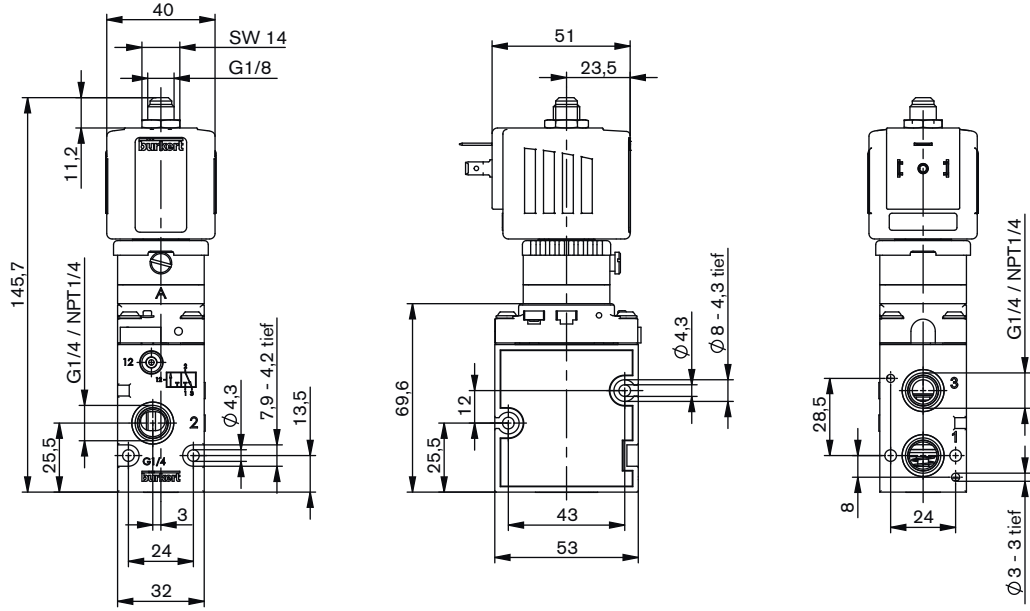
5/2 way valve, circuit function L and N



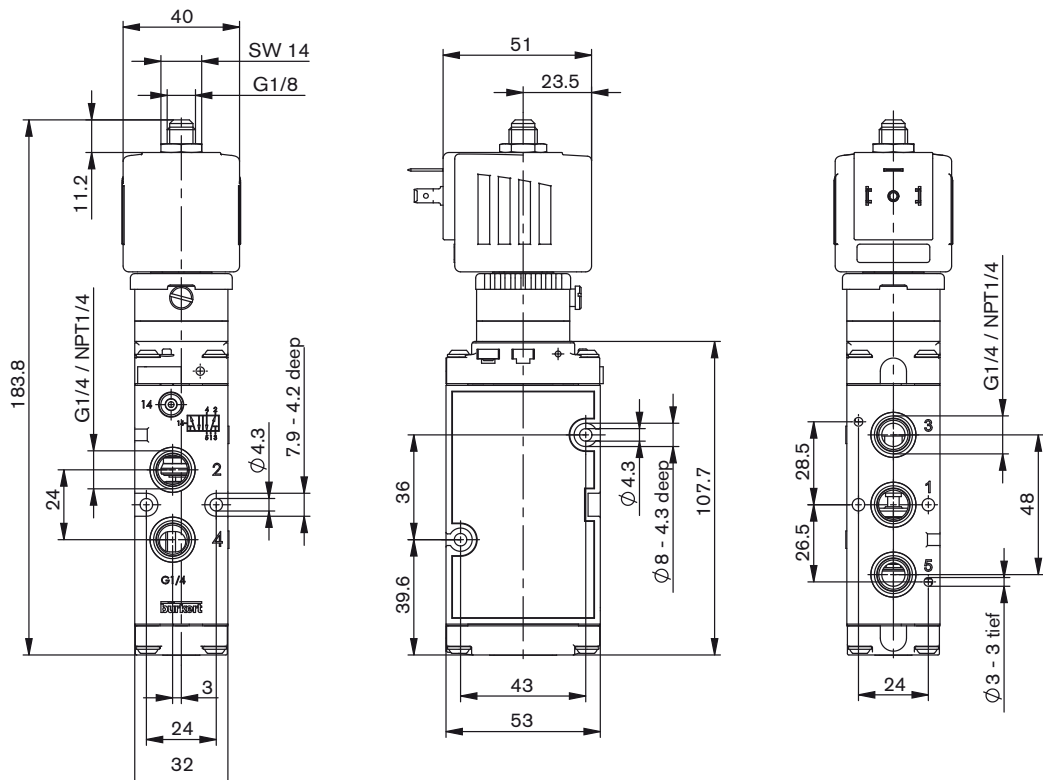
Dimensions [mm]

Ex i versions

Type 6518
3/2 way valve, circuit function C



Type 6519
5/2 way valve, circuit function H

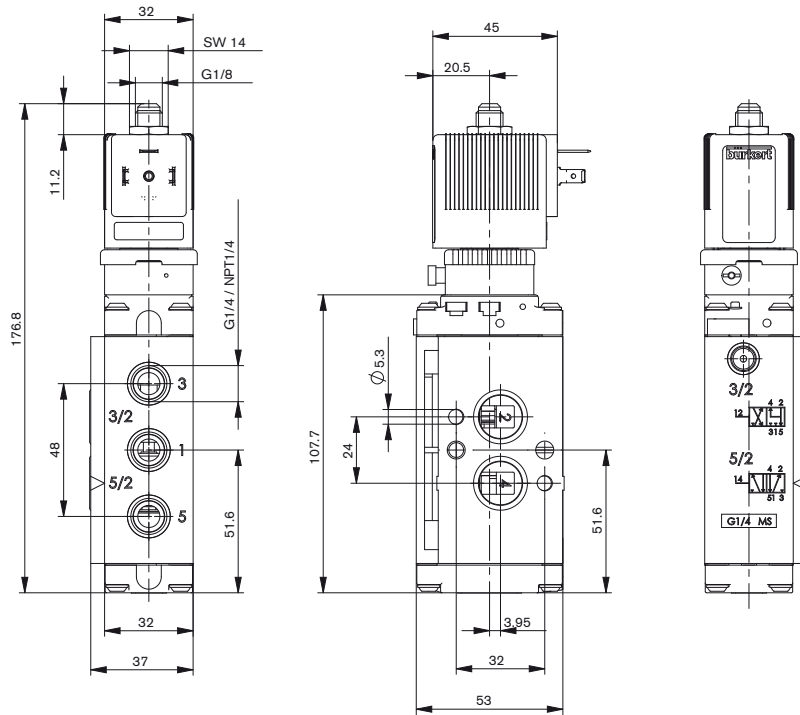


Dimensions [mm]

NAMUR Standard version

Type 6519

3/2 way valve, circuit function C or 5/2 way valve, circuit function H

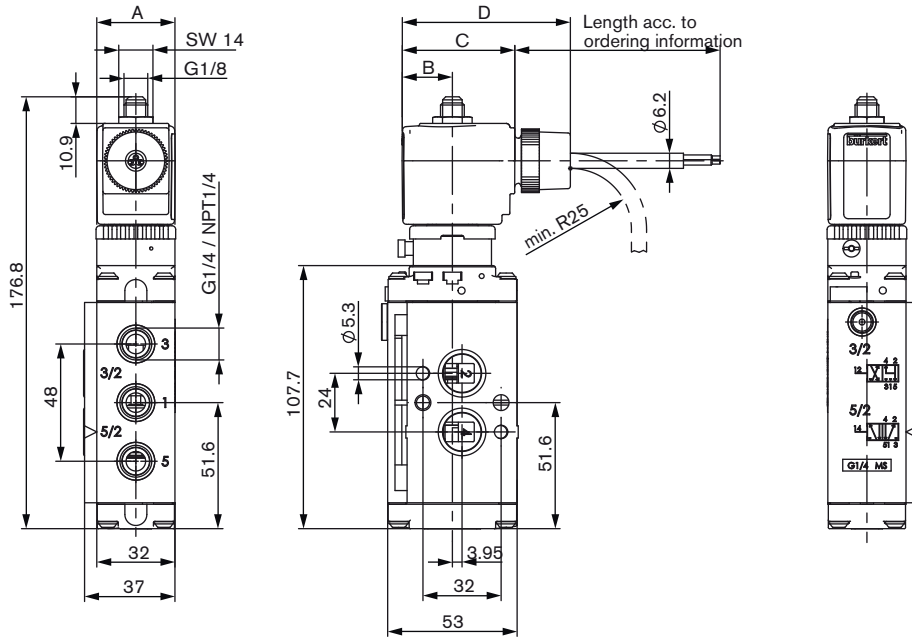


Dimensions [mm]

NAMUR Ex m/me version

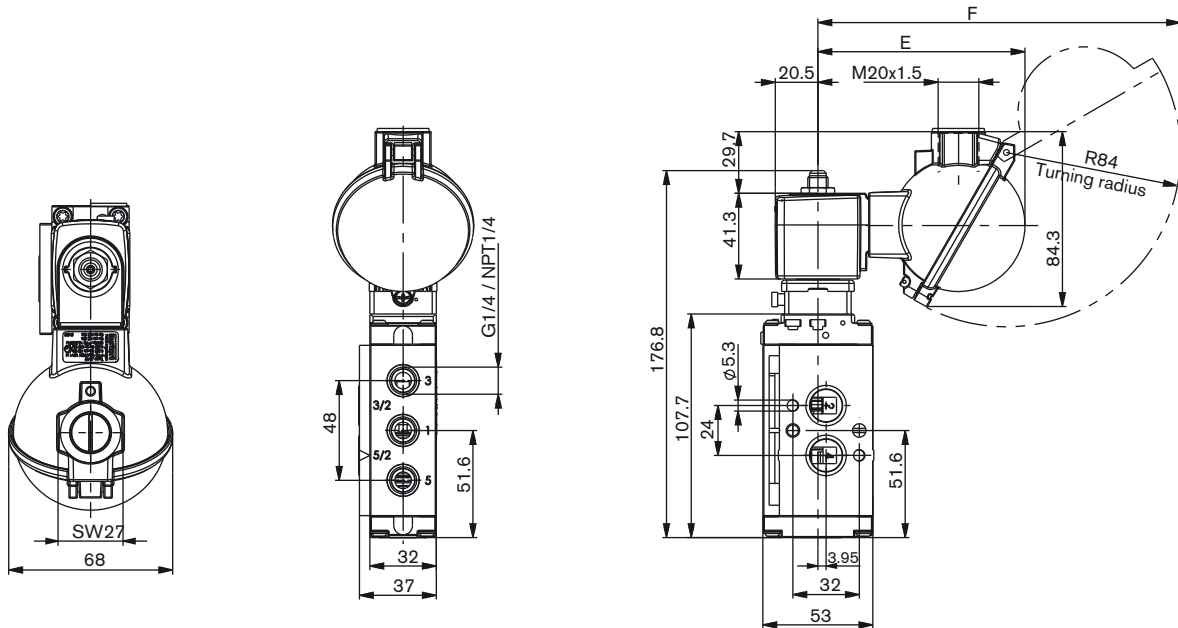
Type 6519
3/2 way valve, circuit function C or 5/2 way valve, circuit function H

with moulded cable (3 m long) (Ex m)



| Coil size | A | B | C | D | E | F |
|-----------|----|------|----|------|-------|-------|
| 5 | 32 | 20.5 | 46 | 68.8 | 99.8 | 174.7 |
| 6 | 40 | 23.5 | 52 | 74.8 | 102.8 | 177.7 |

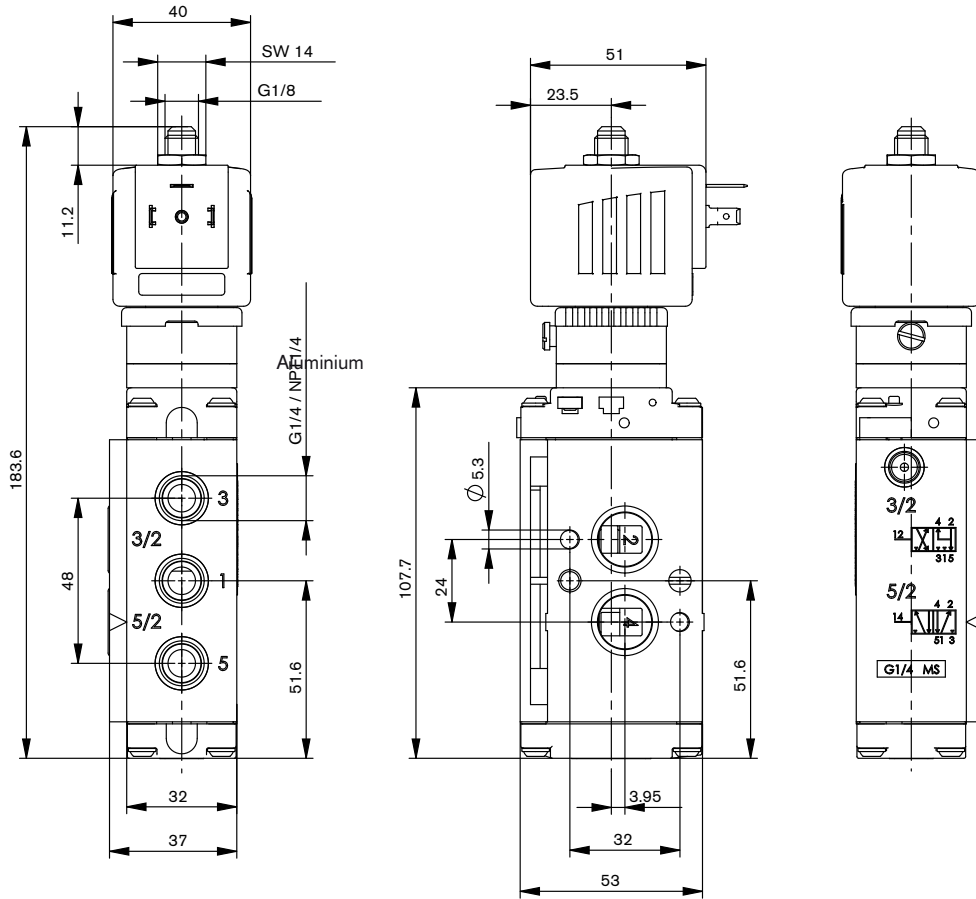
with junction box (Ex me)



Dimensions [mm]

NAMUR Ex i version

Type 6519
 3/2 way valve, circuit function C or 5/2 way valve, circuit function H



6519
for extended
temperature range

Type 6519 for extended standard temperature range

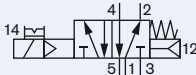
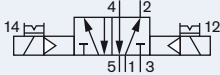
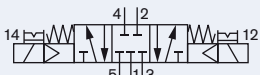
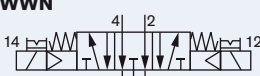


| Technical data | Aluminium | Stainless steel | | | | |
|----------------------------------|--|------------------------|------------|------------|------------|---------------|
| Orifice | 9 | 9 | | | | |
| Body material | | | | | | |
| Pilot valve | Stainless steel | Stainless steel | | | | |
| Main valve | Aluminium ematal coated | Stainless steel 1.4571 | | | | |
| Threaded socket material | in aluminium | in stainless steel | | | | |
| Seal material | FPM, NBR | PU, NBR, FPM | | | | |
| Medium | Neutral medium, eg lubricated or non-lubricated compressed air | | | | | |
| Compressed air quality | ISO 8573-1:2010, Class 7.2.4* | | | | | |
| Medium temperature | -30 °C to +80 °C | -30 °C to +80 °C | | | | |
| Ambient temperature | -40 °C to +80 °C | -30 °C to +80 °C | | | | |
| Pneumatic connection | Supply port connection 1, 3, 5 Thread G ¼, (on request NPT ¼) Service port 2, 4 Thread G ¼ (on request NPT ¼) | | | | | |
| Operating voltages | 24 V DC 24/ 110/ 230 V/ 50-60 Hz | | | | | |
| Voltage tolerance | + 10% | | | | | |
| Electr. power consumption | 2 W | | | | | |
| Duty cycle | 100% continuous operation | | | | | |
| Electrical connection | Tag connector acc. to DIN EN 175301-803 (previously DIN 43650) Form A for cable plug Type 2508 | | | | | |
| Type of protection | IP65 with cable plug | | | | | |
| Installation | As required, preferably with actuator upright | | | | | |
| Response times | 5/2 | 5/2-bi | 5/3 | 3/2 | 5/2 | 5/2-bi |
| Opening [ms] | 16 | 18 | 16 | 13 | 12 | 14 |
| Closing [ms] | 27 | 18 | 22 | 47 | 74 | 14 |

* To prevent freezing of the expanded compressed air, the pressure dew point must be at least 10 K lower than the temperature of the medium.

Ordering chart for valves in aluminium with manual override (without manual override on request)

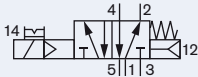




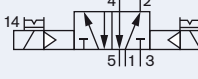




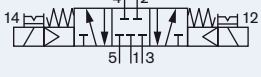




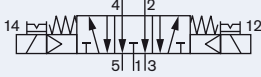




All products come with a standard stainless steel cap nut. This cap nut protects the exhaust channel from penetrating humidity.

| Circuit function | Orifice [mm] | Seal material and body | Threaded port connection [inch] | Q _{Nr} -value air [l/min] | Pressure range [bar] | Weight [g] | Nominal power [W] | Voltage/Frequency [V/Hz] | Article no. |
|---|--------------|------------------------|---------------------------------|------------------------------------|----------------------|------------|-------------------|--------------------------|-------------|
|  5/2 WWH | 9.0 | FPM, NBR | G ¼" | 1800 | 2.5-10 | 680 | 2 | 024/DC | 231386 |
| | | | | | | | | 024/50-60 | 231387 |
| | | | | | | | | 110/50-60 | 231388 |
| | | | | | | | | 230/50-60 | 231389 |
|  5/2-bistable WWZ | 9.0 | FPM, NBR | G ¼" | 2100 | 2.5-10 | 990 | 2 | 024/DC | 231390 |
| | | | | | | | | 024/50-60 | 231391 |
| | | | | | | | | 110/50-60 | 231392 |
|  5/3 WWL | 9.0 | FPM, NBR | G ¼" | 1500 | 2.5-10 | 1060 | 2 | 024/DC | 231394 |
| | | | | | | | | 024/50-60 | 231395 |
| | | | | | | | | 110/50-60 | 231396 |
|  5/3 WWN | 9.0 | FPM, NBR | G ¼" | 1500 | 2.5-10 | 1060 | 2 | 024/DC | 231399 |
| | | | | | | | | 024/50-60 | 231400 |
| | | | | | | | | 110/50-60 | 231401 |
| | | | | | | | | 230/50-60 | 231402 |

6519
for extended
temperature range

Ordering chart for valves in stainless steel with manual override (without manual override on request)

All products come with a standard stainless steel cap nut. This cap nut protects the exhaust channel from penetrating humidity.

| Circuit function | Orifice [mm] | Seal material body | Threaded port connection [inch] | C_{Ni} -value air [l/min] | Pressure range [bar] | Weight [g] | Nominal power [W] | Voltage/Frequency [V/Hz] | Article no. |
|--|--------------|--------------------|---------------------------------|-----------------------------|----------------------|------------|-------------------|--------------------------|--|
| 5/2 WWH  | 8.0 | PU, NBR | G 1/4" | 1980 | 3-10 | 1370 | 2 | 024/DC | 231403  |
| | | | | | | | | 024/50-60 | 231404  |
| | | | | | | | | 110/50-60 | 231405  |
| | | | | | | | | 230/50-60 | 231406  |
| 5/2-bistable WWZ  | 8.0 | PU, NBR | G 1/4" | 1920 | 3-10 | 1680 | 2 | 024/DC | 231407  |
| | | | | | | | | 024/50-60 | 231408  |
| | | | | | | | | 110/50-60 | 231409  |
| | | | | | | | | 230/50-60 | 231410  |
| 5/3 WWL  | 8.0 | PU, NBR | G 1/4" | 1770 | 3-10 | 1680 | 2 | 024/DC | 231411  |
| | | | | | | | | 024/50-60 | 231412  |
| | | | | | | | | 110/50-60 | 231413  |
| | | | | | | | | 230/50-60 | 231414  |
| 5/3 WWN  | 8.0 | PU, NBR | G 1/4" | 1770 | 3-10 | 1680 | 2 | 024/DC | 231415  |
| | | | | | | | | 024/50-60 | 231416  |
| | | | | | | | | 110/50-60 | 231417  |
| | | | | | | | | 230/50-60 | 231418  |

6519
for extended
temperature range



Type 6519 for extended Ex m temperature range

The maximum fluid temperature may never exceed the permissible temperature class (T4 135 °C, T5 100 °C, T6 85 °C) minus 5K.



| Technical data | Aluminium | Stainless steel | | | | |
|----------------------------------|--|------------------------|------------|------------|------------|---------------|
| Orifice | 9 | 9 | | | | |
| Body material | | | | | | |
| Pilot valve | Stainless steel | Stainless steel | | | | |
| Main valve | Aluminium ematal coated | Stainless steel 1.4571 | | | | |
| Threaded socket material | in aluminium | in stainless steel | | | | |
| Seal material | FPM, NBR | PU, NBR, FPM | | | | |
| Medium | Neutral medium, e.g. lubricated or non-lubricated compressed air | | | | | |
| Compressed air quality | ISO 8573-1:2010, Class 7.2.4* | | | | | |
| Medium temperature | -30 °C to +80 °C | -30 °C to +80 °C | | | | |
| Ambient temperature | -40 °C to +60 °C | -30 °C to +60 °C | | | | |
| Pneumatic connection | Supply port connection 1, 3, 5 Service port 2, 4 | | | | | |
| | Thread G ¼, (on request NPT ¼) Thread G ¼ (on request NPT ¼) | | | | | |
| Operating voltages | 24 V DC 24/ 110/ 230 V/ 50- 60 Hz | | | | | |
| Voltage tolerance | + 10 % | | | | | |
| Electr. power consumption | 3 W | | | | | |
| Duty cycle | 100% continuous operation | | | | | |
| Electrical connection | 3 m cable, moulded junction box (without fuse) on request | | | | | |
| Type of protection | IP65 | | | | | |
| Approvals | | | | | | |
| Coil | PTB 14 ATEX 2023 X / IECEx PTB 14.0049 X II 2G Ex mb IIC T5 Gb II 2D Ex mb IIIC T 100 °C Db EPS16 ATEX 1046 X / IECEx EPS 16.0021 X II 2G EX eb mb IIC T5 Gb II 2D EX mb tb IIIC T100 °C Db | | | | | |
| Junction box | | | | | | |
| Installation | As required, preferably with actuator upright | | | | | |
| Response times | 5/2 | 5/2-bi | 5/3 | 3/2 | 5/2 | 5/2-bi |
| Opening [ms] | 16 | 18 | 16 | 13 | 12 | 14 |
| Closing [ms] | 27 | 18 | 22 | 47 | 74 | 14 |

* To prevent freezing of the expanded compressed air, the pressure dew point must be at least 10 K lower than the temperature of the medium.

Ordering chart for valves in aluminium with manual override (without manual override on request)

All products come with a standard stainless steel cap nut. This cap nut protects the exhaust channel from penetrating humidity.

| Circuit function | Orifice [mm] | Seal material body | Threaded port connection [inch] | C _N -value air [l/min] | Pressure range [bar] | Weight [g] | Nominal power [W] | Voltage/Frequency [V/Hz] | Article no. |
|---|--------------|--------------------|---------------------------------|-----------------------------------|----------------------|------------|-------------------|--------------------------|-------------|
| Type 6519 Ex m - with moulded cable, 3 m long¹⁾ | | | | | | | | | |
| 5/2 WWH | 9.0 | FPM, NBR | G ¼" | 1800 | 2.5-10 | 680 | 3 | 024/UC | 278217 |
| | | | | | | | | 110/UC | x |
| | | | | | | | | 230/UC | 278220 |
| 5/2-bistable WWZ | 9.0 | FPM, NBR | G ¼" | 2100 | 2.5-10 | 990 | 3 | 024/UC | 278247 |
| | | | | | | | | 110/UC | x |
| | | | | | | | | 230/UC | x |
| 5/3 WWL | 9.0 | FPM, NBR | G ¼" | 1500 | 2.5-10 | 1060 | 3 | 024/UC | x |
| | | | | | | | | 110/UC | x |
| | | | | | | | | 230/UC | x |
| 5/3 WWN | 9.0 | FPM, NBR | G ¼" | 1500 | 2.5-10 | 1060 | 3 | 024/UC | 278223 |
| | | | | | | | | 110/UC | x |
| | | | | | | | | 230/UC | x |

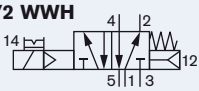

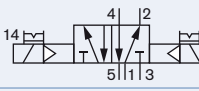

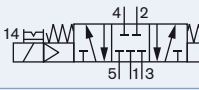
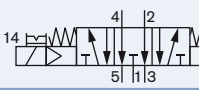
¹⁾ Junction box version on request

x = on request

6519
for extended
temperature range

Ordering chart for valves in stainless steel with manual override (without manual override on request)

All products come with a standard stainless steel cap nut. This cap nut protects the exhaust channel from penetrating humidity.

| Circuit function | Orifice [mm] | Seal material body | Threaded port connection [inch] | C_{N_2} -value air [l/min] | Pressure range [bar] | Weight [g] | Nominal power [W] | Voltage/Frequency [V/Hz] | Article no. |
|--|--------------|--------------------|---------------------------------|------------------------------|----------------------|------------|-------------------|--------------------------|--|
| Type 6519 Ex m - with moulded cable, 3 m long¹⁾ | | | | | | | | | |
| 5/2 WWH  | 8.0 | PU, NBR | G 1/4" | 1980 | 3-10 | 1370 | 3 | 024/UC | x |
| | | | | | | | | 110/UC | x |
| | | | | | | | | 230/UC | 278219  |
| 5/2-bistable WWZ  | 8.0 | PU, NBR | G 1/4" | 1920 | 3-10 | 1680 | 3 | 024/UC | 278246  |
| | | | | | | | | 110/UC | x |
| | | | | | | | | 230/UC | x |
| 5/3 WWL  | 8.0 | PU, NBR | G 1/4" | 1770 | 3-10 | 1680 | 3 | 024/UC | x |
| | | | | | | | | 110/UC | x |
| | | | | | | | | 230/UC | x |
| 5/3 WWN  | 8.0 | PU, NBR | G 1/4" | 1770 | 3-10 | 1680 | 3 | 024/UC | x |
| | | | | | | | | 110/UC | x |
| | | | | | | | | 230/UC | x |

¹⁾ Junction box version on request

x = on request

6519
for extended
temperature range

bürkert

Type 6519 for extended Ex i temperature range

The maximum fluid temperature may never exceed the permissible temperature class (T4 135 °C, T5 100 °C, T6 85 °C) minus 5K.



| Technical data | Aluminium | Stainless steel |
|---------------------------------|---|------------------------|
| Orifice Type 6519 | 9 | 9 |
| Body material | | |
| Pilot valve | Stainless steel | Stainless steel |
| Main valve | Aluminium ematal coated | Stainless steel 1.4571 |
| Threaded socket material | in aluminium | in stainless steel |
| Seal material | FPM, NBR | PU, NBR, FPM |
| Medium | Neutral medium, e.g. lubricated or non-lubricated compressed air | |
| Compressed air quality | ISO 8573-1:2010, Class 7.2.4* | |
| Medium temperature | -30 °C to +80 °C | -30 °C to +80 °C |
| Ambient temperature | -40 °C to +75 °C | -30 °C to +75 °C |
| Pneumatic connection | | |
| Supply port connection 1, 3, 5 | Thread G ¼, (on request NPT ¼) | |
| Service port 2, 4 | Thread G ¼ (on request NPT ¼) | |
| Voltage tolerance | + 10% | |
| Electrical connection | Tag connector acc. to DIN EN 175301-803 (previously DIN 43650) Form A for cable plug Type 2508 (not in delivery, see accessories), check for correct polarity | |
| Type of protection | IP65 with cable plug | |
| Installation | As required, preferably with actuator upright | |

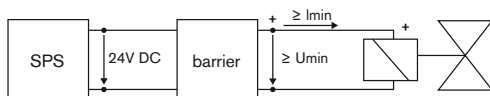
| Response times | 5/2 | 5/2-bi | 5/3 | 3/2 | 5/2 | 5/2-bi |
|---------------------|-----|--------|-----|-----|-----|--------|
| Opening [ms] | 16 | 18 | 16 | 13 | 12 | 14 |
| Closing [ms] | 27 | 18 | 22 | 47 | 74 | 14 |

* To prevent freezing of the expanded compressed air, the pressure dew point must be at least 10 K lower than the temperature of the medium.

| Electrical data - coil AC10 Ex i | | |
|--|---|------------------|
| Approvals | PTB 01 ATEX 2101 / PTB IECEx 10.0019 II 2G Ex ia IIC T6 Gb II 2G Ex ia IIIC T80 °C Db | |
| Function values for Switching function valve¹⁾ | at +20 °C | at +55 °C |
| Minimum switching current | 29 mA | 29 mA |
| Nominal resistance coil | 310 Ω | 360 Ω |
| Minimum terminal voltage | 9.0 V | 10.4 V |
| Conformity specifications | | |
| U _i | 35 V | |
| I _i | 0.9 A | |
| P _i | 1.1 W | |

¹⁾ With high resistance coil on request

Note



These units may only be used in explosive atmospheres in the manner approved by the Federal Institute of Physics and Technology (PTB), i.e., the permissible maximum electrical values must be complied with. Suitable barriers and isolating modules are available for this.

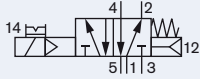
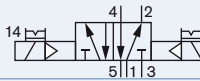


The valve is intended for operation on 24 V DC outputs via the intermediate switching of a corresponding intrinsically-safe operating resource (isolating module or barrier).

6519
for extended
temperature range



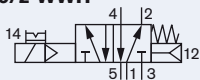
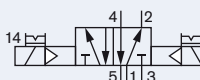
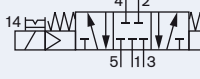
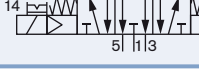
Ordering chart for valves in aluminium with manual override (without manual override on request)

All products come with a standard stainless steel cap nut. This cap nut protects the exhaust channel from penetrating humidity.

| Circuit function | Orifice [mm] | Seal material body | Threaded port connection [inch] | Q ₉₀ -value air [l/min] | Pressure range [bar] | Weight [g] | Minimum switching current [mA] | Nominal resistance coil [Ohm] | Minimum terminal voltage [V] | Article no. |
|--|--------------|--------------------|---------------------------------|------------------------------------|----------------------|------------|--------------------------------|-------------------------------|------------------------------|-------------|
|  <p>5/2 WWH</p> | 9.0 | FPM, NBR | G ¼" | 1800 | 2.5 - 10 | 825 | 29 | 310 | 9 | 231452 |
| | | | | | | | 23 | 481 | 11 | 231453 |
|  <p>5/2-bistable WWZ</p> | 9.0 | FPM, NBR | G ¼" | 2100 | 2.5 - 10 | 1280 | 29 | 310 | 9 | 231454 |
| | | | | | | | 23 | 481 | 11 | 231455 |
|  <p>5/3 WWL</p> | 9.0 | FPM, NBR | G ¼" | 1500 | 2.5 - 10 | 1350 | 29 | 310 | 9 | 231456 |
| | | | | | | | 23 | 481 | 11 | 231457 |
|  <p>5/3 WWN</p> | 9.0 | FPM, NBR | G ¼" | 1500 | 2.5 - 10 | 1350 | 29 | 310 | 9 | 231458 |
| | | | | | | | 23 | 481 | 11 | 231459 |

Ordering chart for valves in stainless steel with manual override (without manual override on request)

All products come with a standard stainless steel cap nut. This cap nut protects the exhaust channel from penetrating humidity.

| Circuit function | Orifice [mm] | Seal material body | Threaded port connection [inch] | Q ₉₀ -value air [l/min] | Pressure range [bar] | Weight [g] | Minimum switching current [mA] | Nominal resistance coil [Ohm] | Minimum terminal voltage [V] | Article no. |
|--|--------------|--------------------|---------------------------------|------------------------------------|----------------------|------------|--------------------------------|-------------------------------|------------------------------|-------------|
|  <p>5/2 WWH</p> | 8.0 | PU, NBR | G ¼" | 1980 | 3 - 10 | 1520 | 29 | 310 | 9 | 231460 |
| | | | | | | | 23 | 481 | 11 | 231461 |
|  <p>5/2-bistable WWZ</p> | 8.0 | PU, NBR | G ¼" | 1920 | 3 - 10 | 1970 | 29 | 310 | 9 | 231463 |
| | | | | | | | 23 | 481 | 11 | 231464 |
|  <p>5/3 WWL</p> | 8.0 | PU, NBR | G ¼" | 1770 | 3 - 10 | 1970 | 29 | 310 | 9 | 231465 |
| | | | | | | | 23 | 481 | 11 | 231466 |
|  <p>5/3 WWN</p> | 8.0 | PU, NBR | G ¼" | 1770 | 3 - 10 | 1970 | 29 | 310 | 9 | 231467 |
| | | | | | | | 23 | 481 | 11 | 231468 |

6519
for extended
temperature range



Type 6519 for extended NAMUR standard temperature range



| Technical data | Aluminium | Stainless steel | | | | |
|----------------------------------|--|------------------------|------------|------------|------------|---------------|
| Orifice | 6 | 6 | | | | |
| Body material | | | | | | |
| Pilot valve | Stainless steel | Stainless steel | | | | |
| Main valve | Aluminium ematal coated | Stainless steel 1.4571 | | | | |
| Threaded socket material | in aluminium | in stainless steel | | | | |
| Seal material | FPM, NBR | PU, NBR, FPM | | | | |
| Medium | Neutral medium, e.g. lubricated or non-lubricated compressed air | | | | | |
| Compressed air quality | ISO 8573-1:2010, Class 7.2.4* | | | | | |
| Medium temperature | -30 °C to +80 °C | -30 °C to +80 °C | | | | |
| Ambient temperature | -40 °C to +80 °C | -30 °C to +80 °C | | | | |
| Pneumatic connection | Supply port connection 1, 3, 5 Service port 2, 4 | | | | | |
| Operating voltages | 24 V DC 24/ 110/ 230 V/ 50-60 Hz | | | | | |
| Voltage tolerance | + 10 % | | | | | |
| Electr. power consumption | 2 W | | | | | |
| Duty cycle | 100 % continuous operation | | | | | |
| Electrical connection | Tag connector acc. to DIN EN 175301-803 (previously DIN 43650) Form A for cable plug Type 2508 | | | | | |
| Type of protection | IP65 with cable plug | | | | | |
| Installation | As required, preferably with actuator upright | | | | | |
| Response times | 5/2 | 5/2-bi | 5/3 | 3/2 | 5/2 | 5/2-bi |
| Opening [ms] | 16 | 18 | 16 | 13 | 12 | 14 |
| Closing [ms] | 27 | 18 | 22 | 47 | 74 | 14 |

* To prevent freezing of the expanded compressed air, the pressure dew point must be at least 10 K lower than the temperature of the medium.

Ordering chart for valves in aluminium with manual override (without manual override on request)

All products come with a standard stainless steel cap nut. This cap nut protects the exhaust channel from penetrating humidity.

| Circuit function | Orifice [mm] | Seal material body | Threaded port connection [inch] | Q _{in} -value air [l/min] | Pressure range [bar] | Weight [g] | Nominal power [W] | Voltage/Frequency [V/Hz] | Article no. |
|-----------------------------|--------------|--------------------|---------------------------------|------------------------------------|----------------------|------------|-------------------|--------------------------|-------------|
| 3/2 WWC | 6.0 | FPM, NBR | G 1/4" | 780 | 3-10 | 540 | 2 | 024/DC | 231469 |
| | | | | | | | | 024/50-60 | 231470 |
| | | | | | | | | 110/50-60 | 231471 |
| | | | | | | | | 230/50-60 | 231472 |
| 5/2 WWH | 6.0 | FPM, NBR | G 1/4" | 800 | 3-10 | 540 | 2 | 024/DC | 231473 |
| | | | | | | | | 024/50-60 | 231474 |
| | | | | | | | | 110/50-60 | 231475 |
| | | | | | | | | 230/50-60 | 231476 |
| 5/2-bistable WWZ | 6.0 | FPM, NBR | G 1/4" | 900 | 3-10 | 540 | 2 | 024/DC | 231477 |
| | | | | | | | | 024/50-60 | 231478 |
| | | | | | | | | 110/50-60 | 231479 |
| | | | | | | | | 230/50-60 | 231480 |

6519
for extended
temperature range

Ordering chart for valves in stainless steel with manual override (without manual override on request)

All products come with a standard stainless steel cap nut. This cap nut protects the exhaust channel from penetrating humidity.

| Circuit function | Orifice [mm] | Seal material body | Threaded port connection [inch] | Q_{N_2} -value air [l/min] | Pressure range [bar] | Weight [g] | Nominal power [W] | Voltage/Frequency [V/Hz] | Article no. |
|-----------------------------|--------------|--------------------|---------------------------------|------------------------------|----------------------|------------|-------------------|--------------------------|-------------|
| 3/2 WWC | 6.0 | PU, NBR | G 1/4" | 1280 | 3-10 | 540 | 2 | 024/DC | 231481 |
| | | | | | | | | 024/50-60 | 231482 |
| | | | | | | | | 110/50-60 | 231483 |
| | | | | | | | | 230/50-60 | 231484 |
| 5/2 WWH | 6.0 | PU, NBR | G 1/4" | 1060 | 3-10 | 540 | 2 | 024/DC | 231485 |
| | | | | | | | | 024/50-60 | 231486 |
| | | | | | | | | 110/50-60 | 231487 |
| | | | | | | | | 230/50-60 | 231488 |
| 5/2-bistable WWZ | 6.0 | PU, NBR | G 1/4" | 1050 | 3-10 | 540 | 2 | 024/DC | 231489 |
| | | | | | | | | 024/50-60 | 231490 |
| | | | | | | | | 110/50-60 | 231491 |
| | | | | | | | | 230/50-60 | 231492 |

6519
for extended
temperature range



Type 6519 for extended NAMUR Ex m temperature range

The maximum fluid temperature may never exceed the permissible temperature class (T4 135 °C, T5 100 °C, T6 85 °C) minus 5K.



| Technical data | Aluminium | Stainless steel | | | | |
|----------------------------------|---|------------------------|------------|------------|------------|---------------|
| Orifice | 6 | 6 | | | | |
| Body material | | | | | | |
| Pilot valve | Stainless steel | Stainless steel | | | | |
| Main valve | Aluminium ematal coated | Stainless steel 1.4571 | | | | |
| Threaded socket material | in aluminium | in stainless steel | | | | |
| Seal material | FPM, NBR | PU, NBR, FPM | | | | |
| Medium | Neutral medium, e.g. lubricated or non-lubricated compressed air | | | | | |
| Compressed air quality | ISO 8573-1:2010, Class 7.2.4* | | | | | |
| Medium temperature | -30 °C to +80 °C | -30 °C to +80 °C | | | | |
| Ambient temperature | -40 °C to +60 °C | -30 °C to +60 °C | | | | |
| Pneumatic connection | Thread G ¼, (on request NPT ¼) NAMUR Flange | | | | | |
| Supply port connection 1, 3, 5 | | | | | | |
| Service port 2, 4 | | | | | | |
| Operating voltages | 24 V DC 24/ 110/ 230 V/ 50-60 Hz | | | | | |
| Voltage tolerance | + 10% | | | | | |
| Electr. power consumption | 3 W | | | | | |
| Duty cycle | 100% continuous operation | | | | | |
| Electrical connection | 3 m cable, moulded junction box (without fuse) on request | | | | | |
| Type of protection | IP65 | | | | | |
| Approvals | | | | | | |
| Coil | PTB 14 ATEX 2023 X / IECEx PTB 14.0049 X II 2G Ex mb IIC T5 Gb II 2D Ex mb IIIC T 100 °C Db | | | | | |
| Junction box | EPS16 ATEX 1046 X / IECEx EPS 16.0021 X II 2G EX eb mb IIC T5 Gb II 2D EX mb tb IIIC T100 °C Db | | | | | |
| Installation | As required, preferably with actuator upright | | | | | |
| Response times | 5/2 | 5/2-bi | 5/3 | 3/2 | 5/2 | 5/2-bi |
| Opening [ms] | 16 | 18 | 16 | 13 | 12 | 14 |
| Closing [ms] | 27 | 18 | 22 | 47 | 74 | 14 |

* To prevent freezing of the expanded compressed air, the pressure dew point must be at least 10 K lower than the temperature of the medium.

Ordering chart for valves in aluminium with manual override (without manual override on request)

All products come with a standard stainless steel cap nut. This cap nut protects the exhaust channel from penetrating humidity.

| Circuit function | Orifice [mm] | Seal material body | Threaded port connection [inch] | Q _N -value air [l/min] | Pressure range [bar] | Weight [g] | Nominal power [W] | Voltage/Frequency [V/Hz] | Article no. |
|---|--------------|--------------------|---------------------------------|-----------------------------------|----------------------|------------|-------------------|--------------------------|-------------|
| Type 6519 Ex m - with moulded cable, 3 m long¹⁾ | | | | | | | | | |
| 3/2 WWC | 6.0 | FPM, NBR | G ¼" | 780 | 3-10 | 540 | 3 | 024/UC | x |
| | | | | | | | | 110/UC | x |
| | | | | | | | | 230/UC | x |
| 5/2 WWH | 6.0 | FPM, NBR | G ¼" | 800 | 3-10 | 540 | 3 | 024/UC | 278207 |
| | | | | | | | | 110/UC | x |
| | | | | | | | | 230/UC | x |
| 5/2-bistable WWZ | 6.0 | FPM, NBR | G ¼" | 900 | 3-10 | 540 | 3 | 024/UC | 278242 |
| | | | | | | | | 110/UC | x |
| | | | | | | | | 230/UC | x |

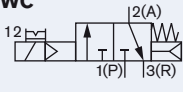
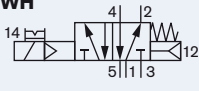
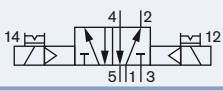
¹⁾ Junction box version on request

x = on request

6519
for extended
temperature range

Ordering chart for valves in stainless steel with manual override (without manual override on request)

All products come with a standard stainless steel cap nut. This cap nut protects the exhaust channel from penetrating humidity.

| Circuit function | Orifice [mm] | Seal material body | Threaded port connection [inch] | Q_{N_2} -value air [l/min] | Pressure range [bar] | Weight [g] | Nominal power [W] | Voltage/Frequency [V/Hz] | Article no. |
|--|--------------|--------------------|---------------------------------|------------------------------|----------------------|------------|-------------------|--------------------------|-------------|
| Type 6519 Ex m - with moulded cable, 3 m long¹⁾ | | | | | | | | | |
| 3/2 WWC  | 6.0 | PU, NBR | G 1/4" | 1280 | 3-10 | 960 | 3 | 024/UC | x |
| | | | | | | | | 110/UC | x |
| | | | | | | | | 230/UC | x |
| 5/2 WWH  | 6.0 | PU, NBR | G 1/4" | 1060 | 3-10 | 960 | 3 | 024/UC | x |
| | | | | | | | | 110/UC | x |
| | | | | | | | | 230/UC | x |
| 5/2-bistable WWZ  | 6.0 | PU, NBR | G 1/4" | 1050 | 3-10 | 1260 | 3 | 024/UC | x |
| | | | | | | | | 110/UC | x |
| | | | | | | | | 230/UC | x |

¹⁾ Junction box version on request

x = on request

6519
for extended
temperature range

Type 6519 for extended NAMUR Ex i temperature range

The maximum fluid temperature may never exceed the permissible temperature class (T4 135 °C, T5 100 °C, T6 85 °C) minus 5K.

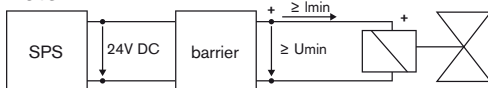


| Technical data | Aluminium | Stainless steel | | | | |
|---------------------------------|---|------------------------|------------|------------|------------|---------------|
| Orifice Type 6519 | 6 | 6 | | | | |
| Body material | | | | | | |
| Pilot valve | Stainless steel | Stainless steel | | | | |
| Main valve | Aluminium ematal coated | Stainless steel 1.4571 | | | | |
| Threaded socket material | in aluminium | in stainless steel | | | | |
| Seal material | FPM, NBR | PU, NBR, FPM | | | | |
| Medium | Neutral medium, e.g. lubricated or non-lubricated compressed air | | | | | |
| Compressed air quality | ISO 8573-1:2010, Class 7.2.4* | | | | | |
| Medium temperature | -30 °C to +80 °C | -30 °C to +80 °C | | | | |
| Ambient temperature | -40 °C to +75 °C | -30 °C to +75 °C | | | | |
| Pneumatic connection | Supply port connection 1, 3, 5 Thread G ¼, (on request NPT ¼) Service port 2, 4 NAMUR Flange | | | | | |
| Voltage tolerance | + 10% | | | | | |
| Electrical connection | Tag connector acc. to DIN EN 175301-803 (previously DIN 43650) Form A for cable plug Type 2508 (not in delivery, see accessories), check for correct polarity | | | | | |
| Type of protection | IP65 with cable plug | | | | | |
| Installation | As required, preferably with actuator upright | | | | | |
| Response times | 5/2 | 5/2-bi | 5/3 | 3/2 | 5/2 | 5/2-bi |
| Opening [ms] | 16 | 18 | 16 | 13 | 12 | 14 |
| Closing [ms] | 27 | 18 | 22 | 47 | 74 | 14 |

* To prevent freezing of the expanded compressed air, the pressure dew point must be at least 10 K lower than the temperature of the medium.

| Electrical data - coil AC10 Ex i | | |
|--|---|-----------|
| Approvals | PTB 01 ATEX 2101 / PTB IECEx 10.0019 II 2G Ex ia IIC T6 Gb II 2G Ex ia IIIC T80 °C Db | |
| Function values for Switching function valve* | at +20 °C | at +55 °C |
| Minimum switching current | 29 mA | 29 mA |
| Nominal resistance coil | 310 Ohm | 360 Ohm |
| Minimum terminal voltage | 9.0 V | 10.4 V |
| Conformity specifications | | |
| U _i | 35 V | |
| I _i | 0.9 A | |
| P _i | 1.1 W | |

Note



These units may only be used in explosive atmospheres in the manner approved by the Federal Institute of Physics and Technology (PTB), i.e., the permissible maximum electrical values must be complied with. Suitable barriers and isolating modules are available for this.

The valve is intended for operation on 24 V DC outputs via the intermediate switching of a corresponding intrinsically-safe operating resource (isolating module or barrier).

6519
for extended
temperature range

Ordering chart for valves in aluminium with manual override (without manual override on request)

All products come with a standard stainless steel cap nut. This cap nut protects the exhaust channel from penetrating humidity.

| Circuit function | Orifice [mm] | Seal material body | Threaded port connection [inch] | Q_{N_2} -value air [l/min] | Pressure range [bar] | Weight [g] | Minimum switching current [mA] | Nominal resistance coil [Ohm] | Minimum terminal voltage[V] | Article no. |
|------------------|--------------|--------------------|---------------------------------|------------------------------|----------------------|------------|--------------------------------|-------------------------------|-----------------------------|-------------|
| | 6.0 | FPM, NBR | G 1/4" | 780 | 3-10 | 690 | 29 | 310 | 9 | 231520 |
| | | | | | | | 23 | 481 | 11 | 231521 |
| | 6.0 | FPM, NBR | G 1/4" | 800 | 3-10 | 690 | 29 | 310 | 9 | 231522 |
| | | | | | | | 23 | 481 | 11 | 231523 |
| | 6.0 | FPM, NBR | G 1/4" | 900 | 3-10 | 1140 | 29 | 310 | 9 | 231524 |
| | | | | | | | 23 | 481 | 11 | 231525 |

Ordering chart for valves in stainless steel with manual override (without manual override on request)

All products come with a standard stainless steel cap nut. This cap nut protects the exhaust channel from penetrating humidity.

| Circuit function | Orifice [mm] | Seal material body | Threaded port connection [inch] | Q_{N_2} -value air [l/min] | Pressure range [bar] | Weight [g] | Minimum switching current [mA] | Nominal resistance coil [Ohm] | Minimum terminal voltage[V] | Article no. |
|------------------|--------------|--------------------|---------------------------------|------------------------------|----------------------|------------|--------------------------------|-------------------------------|-----------------------------|-------------|
| | 6.0 | PU, NBR | G 1/4" | 1280 | 3-10 | 1100 | 29 | 310 | 9 | 231526 |
| | | | | | | | 23 | 481 | 11 | 231527 |
| | 6.0 | PU, NBR | G 1/4" | 1060 | 3-10 | 1100 | 29 | 310 | 9 | 231528 |
| | | | | | | | 23 | 481 | 11 | 231529 |
| | 6.0 | PU, NBR | G 1/4" | 1050 | 3-10 | 1550 | 29 | 310 | 9 | 231530 |
| | | | | | | | 23 | 481 | 11 | 231531 |

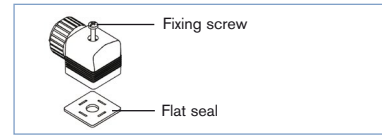
6519
for extended
temperature range

Accessories

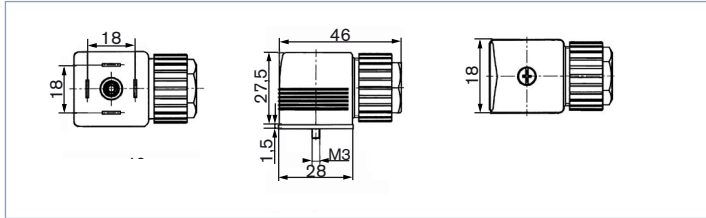
Cable plug 2508 acc. to DIN EN 175301-803 Form A

Included in delivery is a connector with flat seal and fixing screw.

For other cable plug versions acc. to DIN EN 175301-803 Form A (previously DIN 43650) with integrated circuitry, see datasheet Type 2508.



Dimensions Type 2508 [mm]


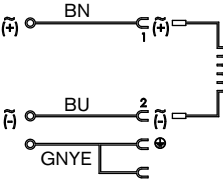


Ordering chart for cable plug 2508


| Circuit | Voltage | Article no. |
|---|-------------|-------------|
| For standard version 6519 fixing screw in steel (galvanised and chrome-plated) | | |
| without circuitry | 0 - 250 V | 008376 |
| with LED | 12 - 24 V | 008360 |
| with LED and varistor | 12 - 24 V | 008367 |
| with LED and varistor | 200 - 240 V | 008369 |
| For Ex i version 6519 | | |
| Fixing screw in stainless steel 1.4404 and blue compression gland nut | | |
| without circuitry | 0 - 250 V | 438574 |
| for further versions see datasheet 2508 | | |

Cable plug Type 2513 acc. to DIN EN 175301-803, Form A

Meets the requirements of ATEX category 3 GD

| | | | | |
|---|--------------------------|----------------------------|-------|--------|
|   | Cable length [mm] | Article no. [in mm] | | |
| | | | 12000 | 260893 |
| | | | 5000 | 260892 |
| | | | 3000 | 260891 |
| | 300 | 260890 | | |

Ordering chart for further accessories

| Accessories | Features | Article no. |
|---|--|-------------|
| Cap nut  | Cap nut in stainless steel for additional protection of the exhaust channel from penetrating humidity, | 649554 |
| Blanking plug | G ¼ | 780142 |
| Silencer | G ¼ | 005064 |
| Labelling plate | 64 pieces | 635416 |

Semi-delay fuse for 6519 NAMUR Ex m



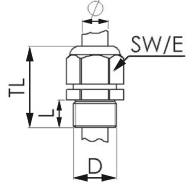


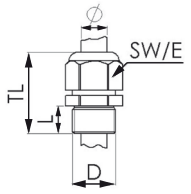
| Voltage [V] | Max. current [mA] | Article no. |
|-------------|-------------------|-------------|
| 24 V | 315 mA | 153733 |
| 110 V | 50 mA | 153716 |
| 230 V | 32 mA | 153715 |

6519
for extended
temperature range



Accessories (continued)

Ex-Cable glands

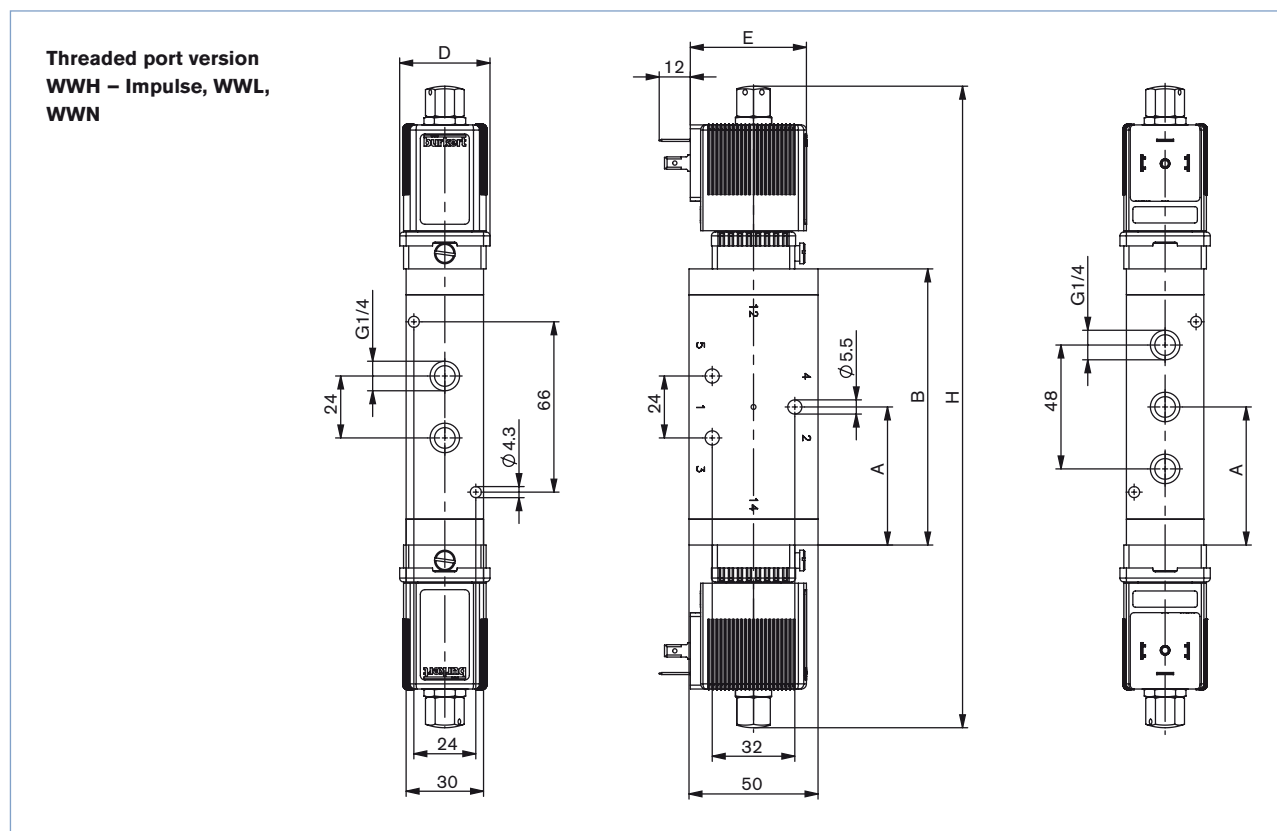
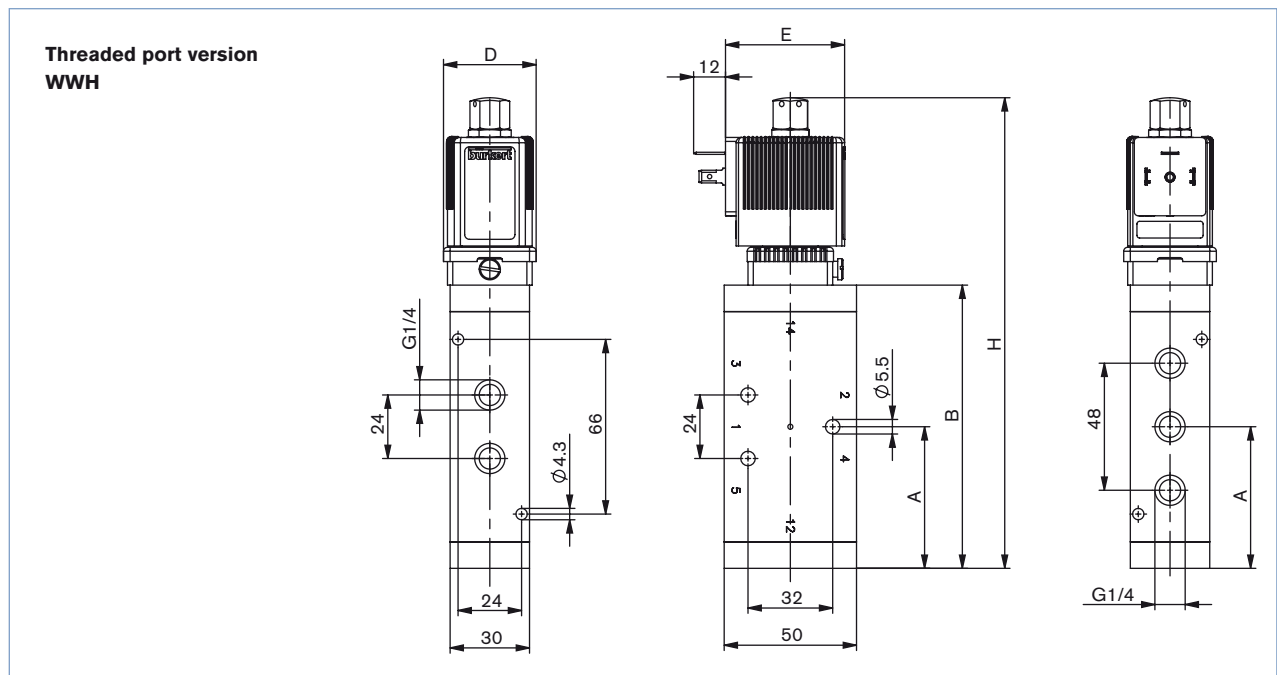
(polyamide version included in delivery / surcharge applied for brass nickel plated version)

| Photo | Description | Ex Approvals | | Article no | Drawing | | | | | | | | | | |
|---|-------------------------------|--|--|---|---|----|----------|---|-------|---|----|----|-------|---|-------|
| | | Certification | Identifica- tion | | | | | | | | | | | | |
|  | Brass, nickel-plated, 6-13 mm | PTB 04 ATEX 1112 X, IECEx PTB 13.0027X | II 2 G Ex e IIC Gb, II 2 D Ex tb IIIC Db IP68, | 773278  |  <table border="1"> <tr><td>TL</td><td>29-37 mm</td></tr> <tr><td>L</td><td>6 mm</td></tr> <tr><td>D</td><td>20</td></tr> <tr><td>SW</td><td>24 mm</td></tr> <tr><td>E</td><td>27 mm</td></tr> </table> | TL | 29-37 mm | L | 6 mm | D | 20 | SW | 24 mm | E | 27 mm |
| TL | 29-37 mm | | | | | | | | | | | | | | |
| L | 6 mm | | | | | | | | | | | | | | |
| D | 20 | | | | | | | | | | | | | | |
| SW | 24 mm | | | | | | | | | | | | | | |
| E | 27 mm | | | | | | | | | | | | | | |
|  | Polyamide, 7-13 mm | PTB 13 ATEX 1015 X, IECEx PTB 13.0034X | II 2 G Ex e IIC Gb, II 2 D Ex tb IIIC Db IP68 | 773277  |  <table border="1"> <tr><td>TL</td><td>36-45 mm</td></tr> <tr><td>L</td><td>10 mm</td></tr> <tr><td>D</td><td>20</td></tr> <tr><td>SW</td><td>24 mm</td></tr> <tr><td>E</td><td>28 mm</td></tr> </table> | TL | 36-45 mm | L | 10 mm | D | 20 | SW | 24 mm | E | 28 mm |
| TL | 36-45 mm | | | | | | | | | | | | | | |
| L | 10 mm | | | | | | | | | | | | | | |
| D | 20 | | | | | | | | | | | | | | |
| SW | 24 mm | | | | | | | | | | | | | | |
| E | 28 mm | | | | | | | | | | | | | | |

Special tool to turn the junction box (not included in delivery)

| Photo | Description | Article no. |
|---|---|--|
|  | Set SC02-AC10 Special wrench Service Manual | 293488  |

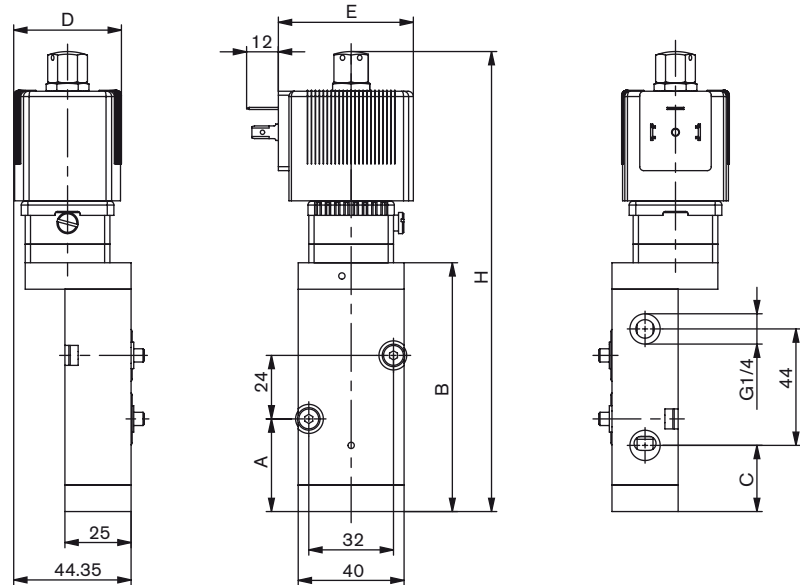
Dimensions [mm]



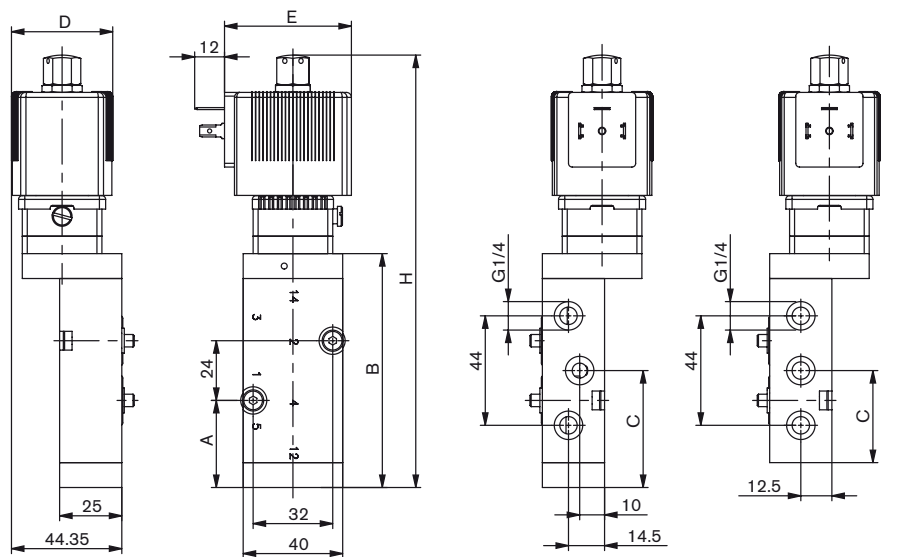
| Version | Variants | A | B | D | | E | | H | |
|-------------------------|-----------------|------|-----|----------------|------|----------------|------|----------------|-------|
| | | | | Standard, Ex m | Ex i | Standard, Ex m | Ex i | Standard, Ex m | Ex i |
| WWH | Stainless steel | 53.5 | 107 | 35 | 40.7 | 45 | 51 | 177.8 | 186.6 |
| WWH | Aluminium | 43.5 | 97 | 35 | 40.7 | 45 | 51 | 167.8 | 176.6 |
| WWH – Impulse, WWL, WWN | Stainless steel | 53.5 | 107 | 35 | 40.7 | 45 | 51 | 248.6 | 266.2 |
| WWH – Impulse, WWL, WWN | Aluminium | 53.5 | 107 | 35 | 40.7 | 45 | 51 | 148.6 | 266.2 |

Dimensions [mm]

NAMUR version
WWC



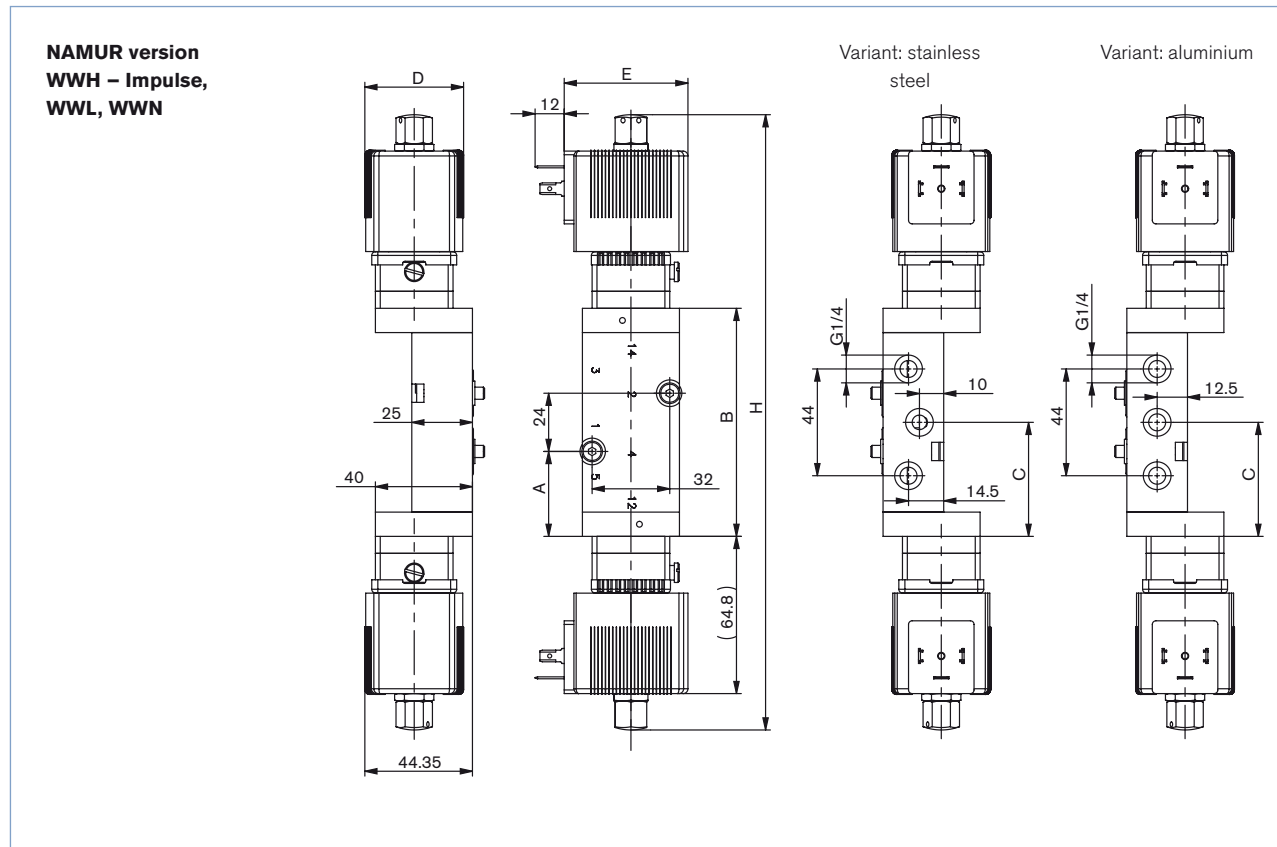
NAMUR version
WWH



| Version | Variants | A | B | C | D | | E | | H | |
|-------------------------|-----------------|----|----|----|----------------|------|----------------|------|----------------|-------|
| | | | | | Standard, Ex m | Ex i | Standard, Ex m | Ex i | Standard, Ex m | Ex i |
| WWC | Stainless steel | 35 | 94 | 25 | 35 | 40.7 | 45 | 51 | 165 | 173.8 |
| WWC | Aluminium | 25 | 84 | 15 | 35 | 40.7 | 45 | 51 | 155 | 163.8 |
| WWH | Stainless steel | 35 | 94 | 47 | 35 | 40.7 | 45 | 51 | 165 | 173.8 |
| WWH | Aluminium | 25 | 84 | 37 | 35 | 40.7 | 45 | 51 | 155 | 163.8 |
| WWH – Impulse, WWL, WWN | Stainless steel | 35 | 94 | 47 | 35 | 40.7 | 45 | 51 | 236 | 253.6 |
| WWH – Impulse, WWL, WWN | Aluminium | 35 | 94 | 47 | 35 | 40.7 | 45 | 51 | 236 | 253.6 |

6519
for extended
temperature range

Dimensions [mm]

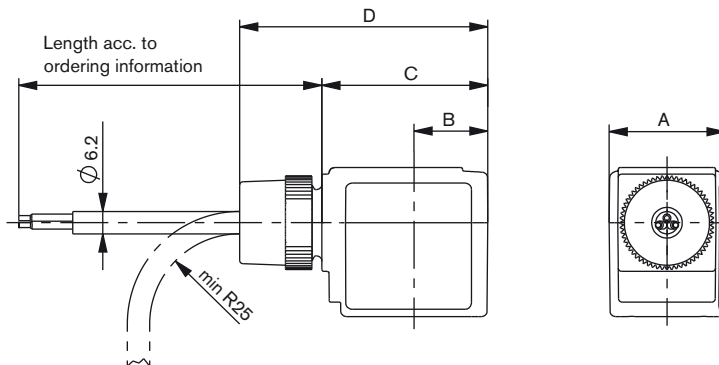


| Version | Variants | A | B | C | D | | E | | H | |
|-------------------------|-----------------|----|----|----|----------------|------|----------------|------|----------------|-------|
| | | | | | Standard, Ex m | Ex i | Standard, Ex m | Ex i | Standard, Ex m | Ex i |
| WWC | Stainless steel | 35 | 94 | 25 | 35 | 40.7 | 45 | 51 | 165 | 173.8 |
| WWC | Aluminium | 25 | 84 | 15 | 35 | 40.7 | 45 | 51 | 155 | 163.8 |
| WWH | Stainless steel | 35 | 94 | 47 | 35 | 40.7 | 45 | 51 | 165 | 173.8 |
| WWH | Aluminium | 25 | 84 | 37 | 35 | 40.7 | 45 | 51 | 155 | 163.8 |
| WWH – Impulse, WWL, WWN | Stainless steel | 35 | 94 | 47 | 35 | 40.7 | 45 | 51 | 236 | 253.6 |
| WWH – Impulse, WWL, WWN | Aluminium | 35 | 94 | 47 | 35 | 40.7 | 45 | 51 | 236 | 253.6 |

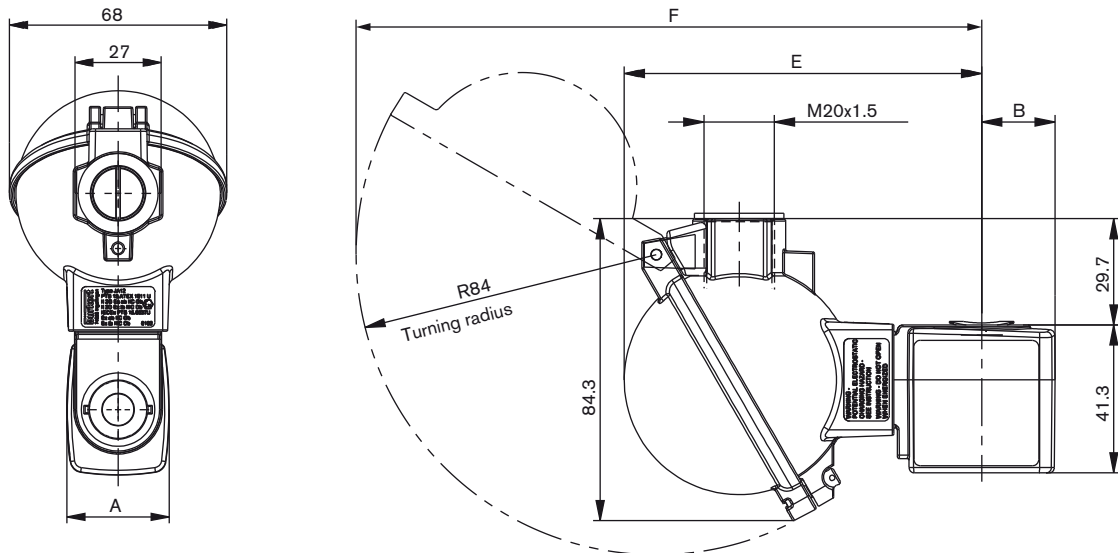
6519
for extended
temperature range

Dimensions - Atex Approvals [mm]

Cable coil



Junction box



| Coil size | A | B | C | D | E | F |
|-----------|----|------|----|------|-------|-------|
| 5 | 32 | 20.5 | 46 | 68.8 | 99.8 | 174.7 |
| 6 | 40 | 23.5 | 52 | 74.8 | 102.8 | 177.7 |

DTS 1000011067 EN Version: P Status: RL (released | freigegeben | valide) printed: 24.01.2018

To find your nearest Bürkert facility, click on the orange box → www.burkert.com

In case of special application conditions,
please consult for advice.

We reserve the right to make technical changes without notice.
© Christian Bürkert GmbH & Co. KG

1801/15_EU-en_00891764